

CD RECEIVER

KDC-5047U/BT50U/MP445U  
 KDC-U6046/U6046L  
 KDC-U7046BT/U7046BTL/X494  
 KMR-440U

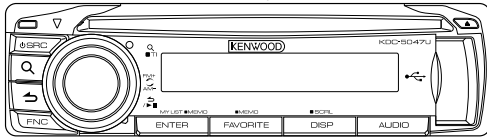
# KENWOOD

Kenwood Corporation

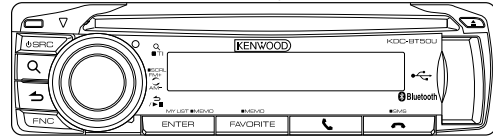
## SERVICE MANUAL

© 2010-3 PRINTED IN JAPAN  
 B53-0790-00 (N) 340

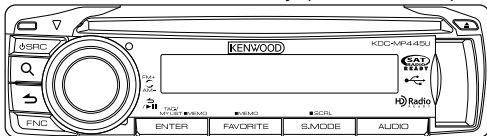
KDC-5047U : Panel assy (A64-5027-02)



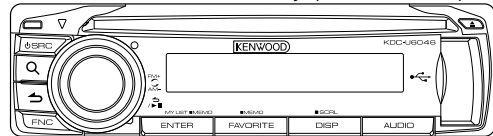
KDC-BT50U : Panel assy (A64-5031-02)



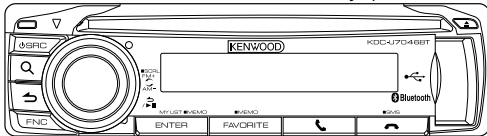
KDC-BT445U : Panel assy (A64-5026-02)



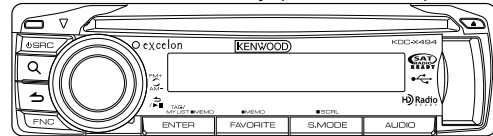
KDC-U6046/L : Panel assy (A64-5028-02)



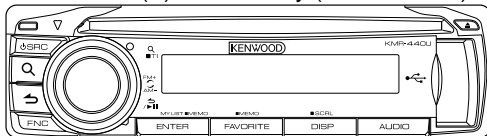
KDC-U7046BT/BTL : Panel assy (A64-5032-02)



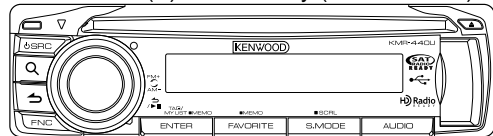
KDC-X494 : Panel assy (A64-5025-02)



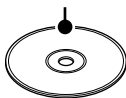
KMR-440U (E) : Panel assy (A64-5057-02)



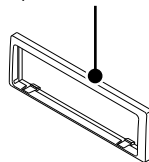
KMR-440U (K) : Panel assy (A64-5056-02)



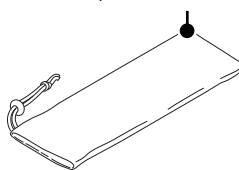
\* Compact disc  
(W01-1777-05)



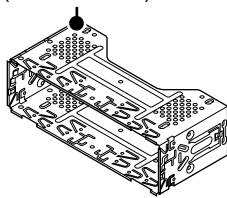
\* Escutcheon  
(B07-xxxx-xx)



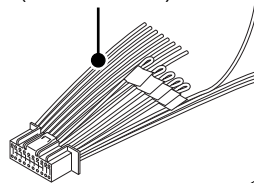
\* Carrying case  
(W01-xxxx-xx)



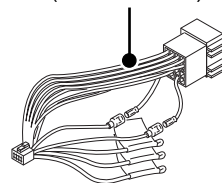
Mounting hardware assy  
(J22-0789-03)



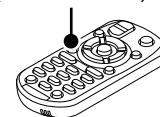
\* DC cord  
(E30-6939-05)



\* DC cord  
(E30-6940-05)



\* Remote controller assy (RC-405)  
(A70-2104-05)



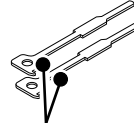
\* Screw (2x6)  
(N80-2006-48)



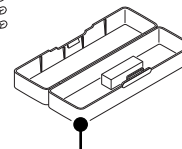
\* Screw set  
(N99-1757-15)



Lever  
(D10-7106-04) x2



\* Plastic cabinet assy  
(A02-2757-13)



### TDF SPARE-PANEL

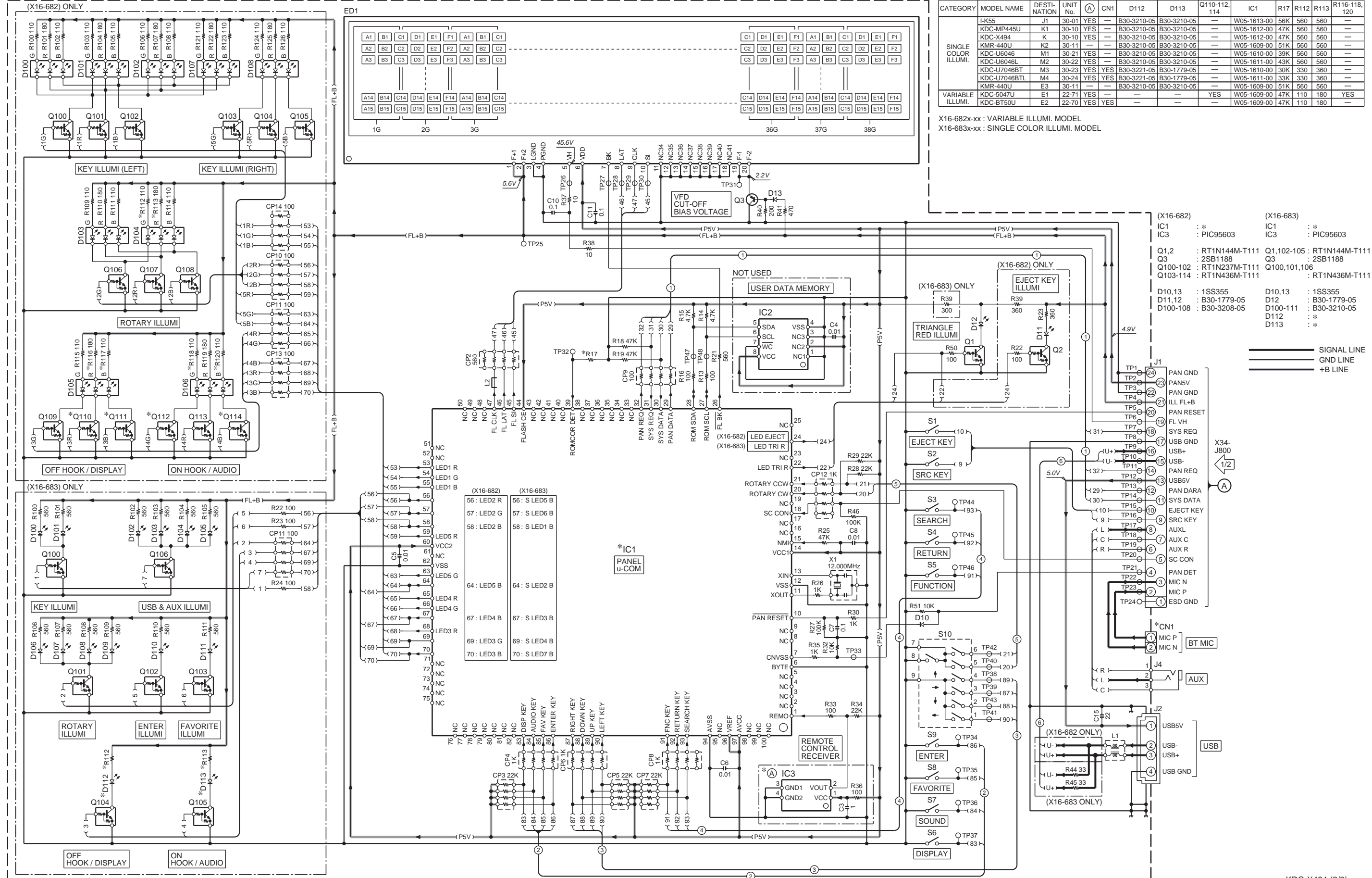
MAIN UNIT NAME	TDF PARTS No.	TDF NAME
KDC-5047U	Y33-3322-71	TDF-5047U
KDC-BT50U	Y33-3322-72	TDF-BT50U
KDC-MP445U	Y33-3320-11	TDF-MP04D
KDC-U6046	Y33-3320-21	TDF-U6046
KDC-U6046L	Y33-3320-22	TDF-U6046L
KDC-U7046BT	Y33-3320-23	TDF-U7046BT
KDC-U7046BTL	Y33-3320-24	TDF-U7046BTL
KDC-X494	Y33-3320-10	TDF-04DX
KMR-440U (E)	Y33-3322-73	TDF-440U
KMR-440U (K)	Y33-3320-12	TDF-MR04U

\* Depends on the model. Refer to the parts list.

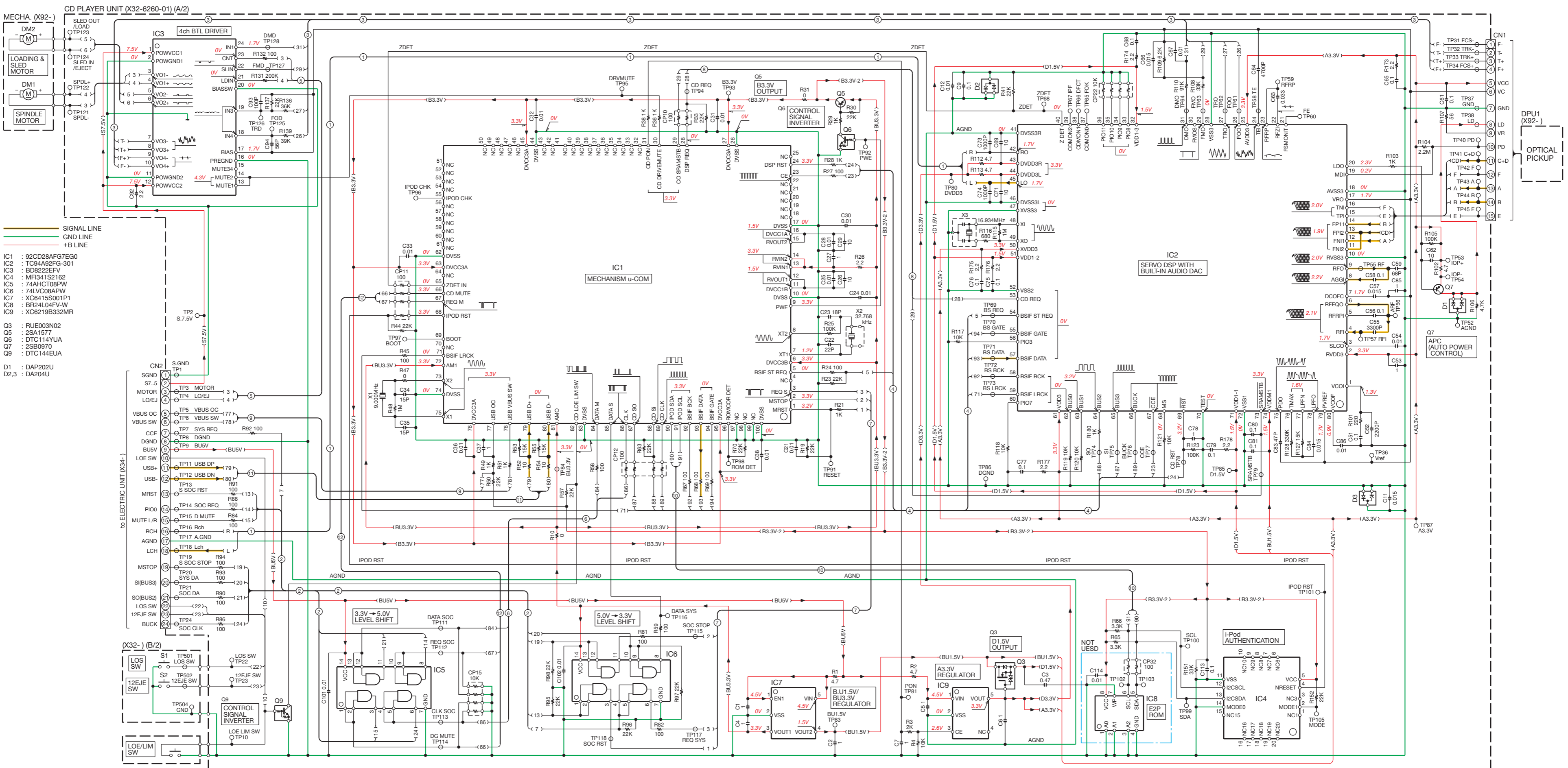




SWITCH UNIT (X16-68xx-xx)



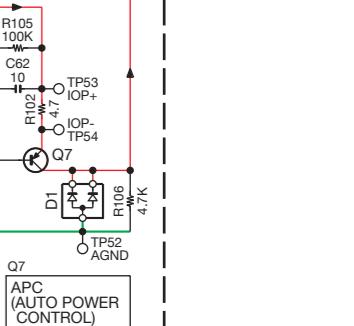
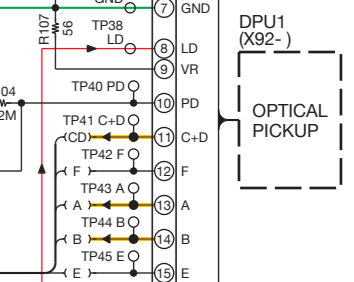
TABAMARU 0.5P  
TABAMOJI 2.6mm 4.6P  
IC



- SIGNAL LINE
  - GND LINE
  - +B LINE
- IC1 : 92CD28AFG7E0  
 IC2 : TC94A92FG-301  
 IC3 : BD8222EFV  
 IC4 : MF1341S2162  
 IC5 : 74AHCT08PW  
 IC6 : 74LVC08APW  
 IC7 : XC6415S001P1  
 IC8 : BR24L04V-W  
 IC9 : XC6219B332MR
- Q3 : RUE003N02  
 Q5 : 2SA1577  
 Q6 : DTC114YUA  
 Q7 : 2SB0970  
 Q9 : DTC114EUA
- D1 : DAP202U  
 D2,3 : DA204U

- to ELECTRIC UNIT (X34-)
- SGND S7.5
  - MOTOR S7.5
  - LO/EJ
  - VBUS OC
  - VBUS SW
  - CCE
  - DGND
  - BU5V
  - LOE SW
  - USB+
  - USB-
  - MRST
  - PIO0
  - MUTE L/R
  - RCH
  - AGND
  - LCH
  - MSTOP
  - SI(BUS)
  - SO(BUS)
  - LOS SW
  - 12EJE SW
  - BUCK

- (X32-) (B/2)
- LOS SW
  - 12EJE SW
  - TP504 GND
  - LOE/LIM SW



A

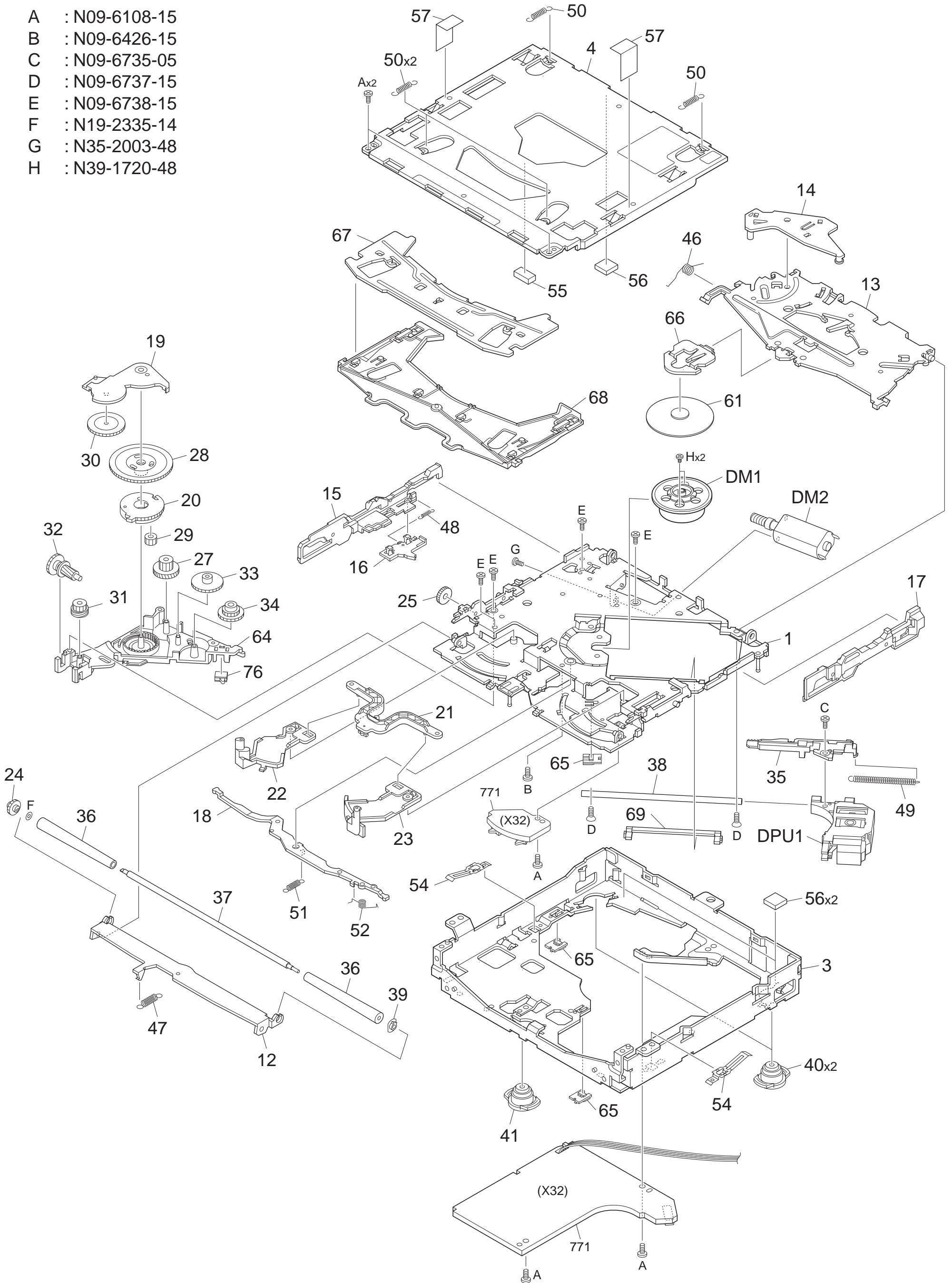
B

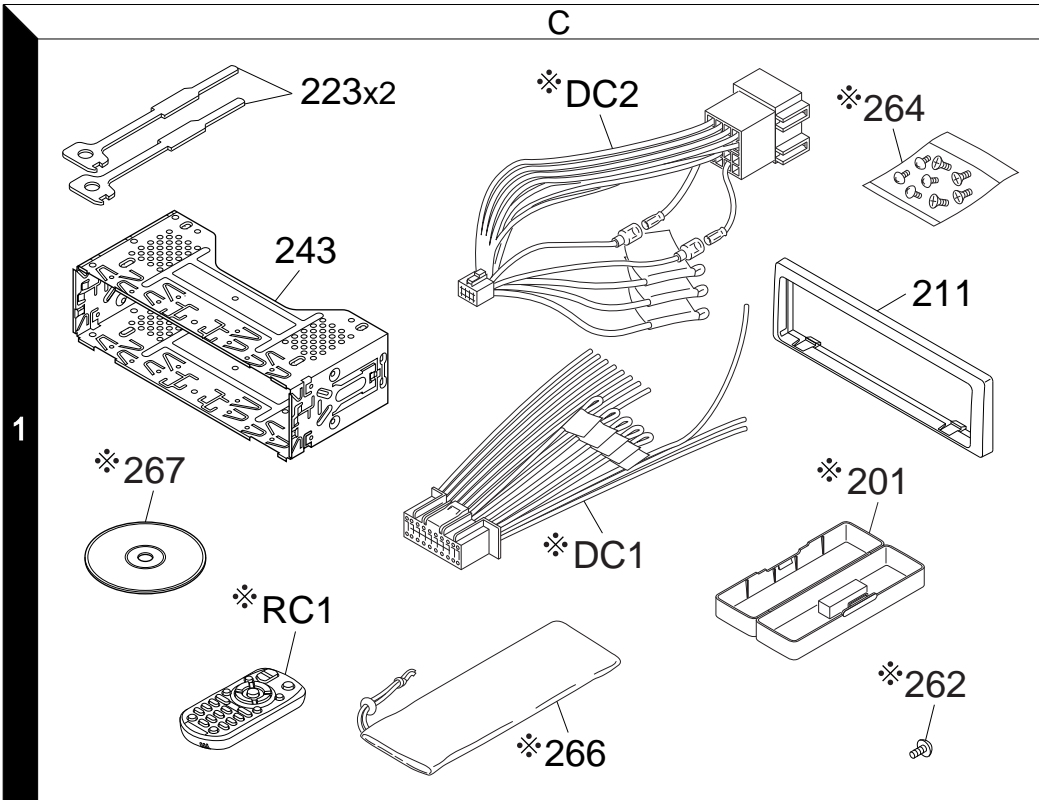
- A : N09-6108-15
- B : N09-6426-15
- C : N09-6735-05
- D : N09-6737-15
- E : N09-6738-15
- F : N19-2335-14
- G : N35-2003-48
- H : N39-1720-48

1

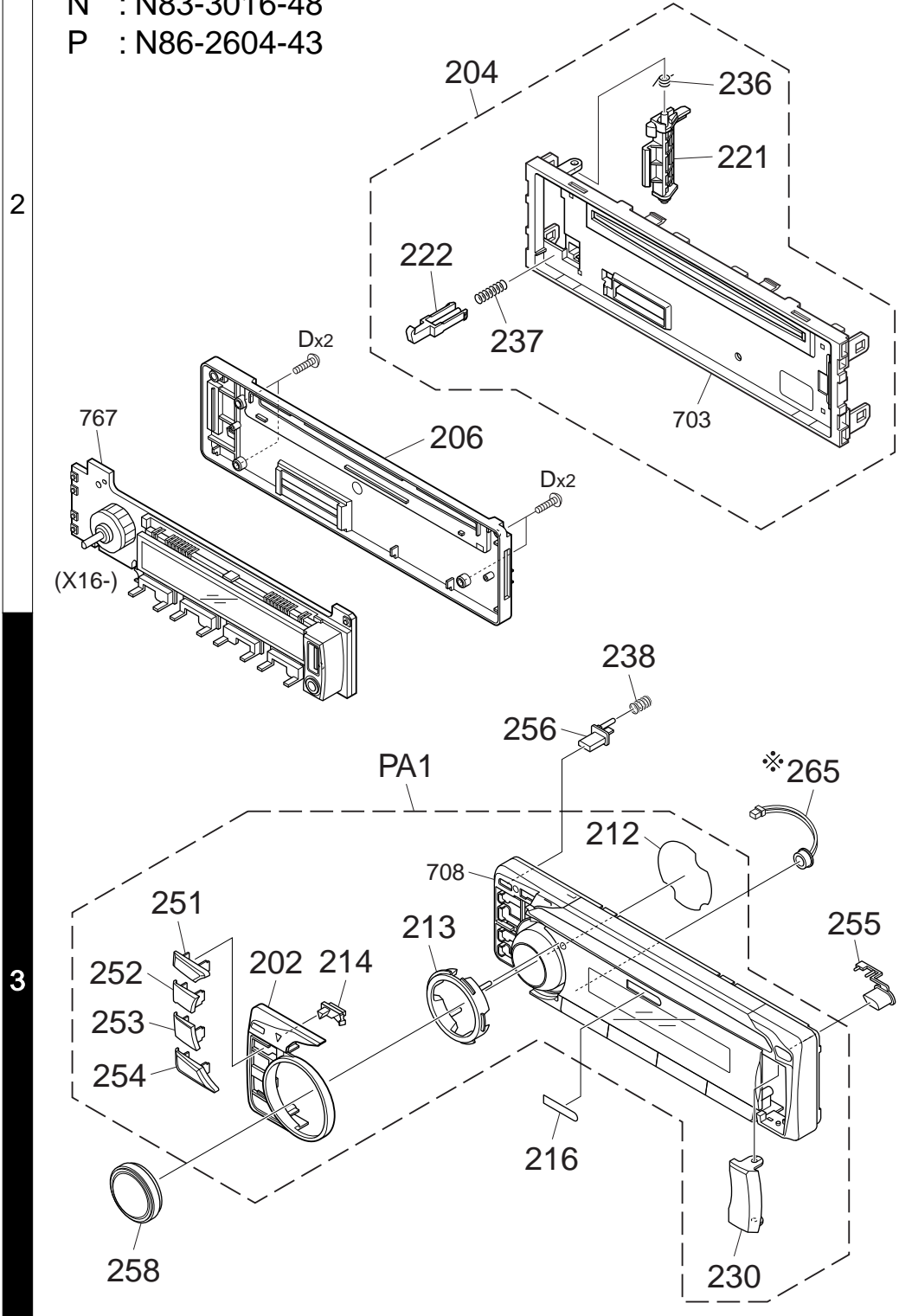
2

3

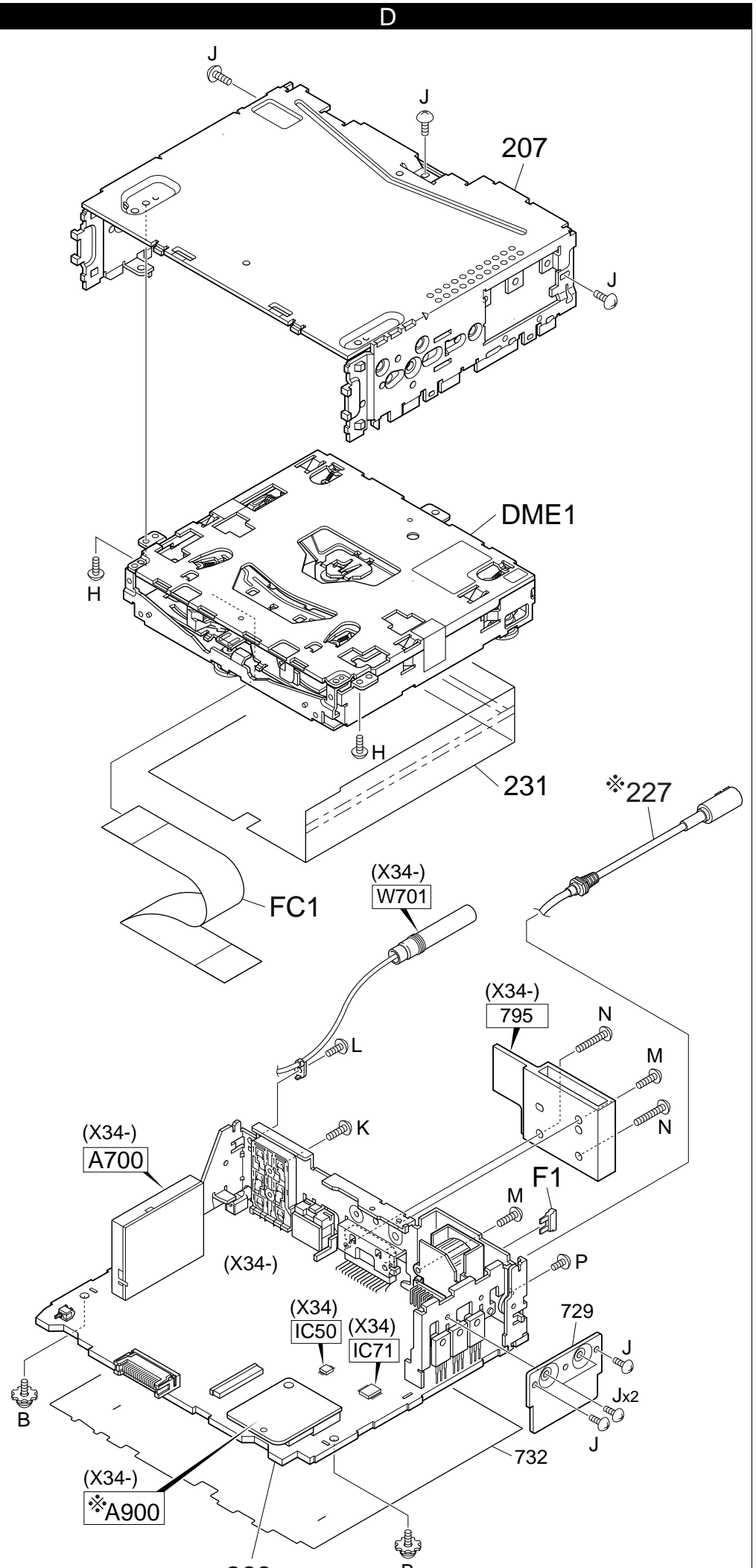




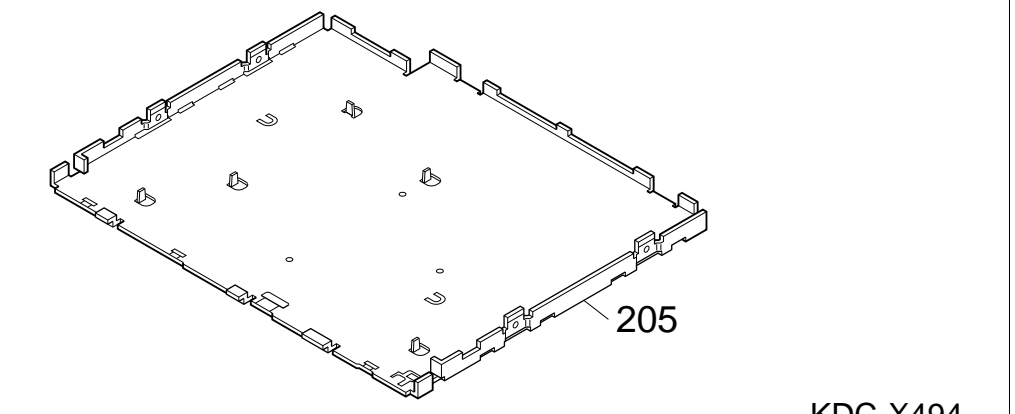
- B : N09-6758-05
- D : N80-2008-43
- H : N86-2604-43
- J : N86-2606-48
- K : N80-3008-48
- L : N83-3005-48
- M : N83-3008-48
- N : N83-3016-48
- P : N86-2604-43



\* Depends on the models. Refer to the parts list.



268 (X34- : ELECTRIC UNIT)  
 On bottom of IC50 and IC71 there is a soldering part each.  
 Therefore replacement of IC50 and IC71 are impossible.  
 When needing replacement of IC50 and IC71, "268" can be replaced.



Parts with the exploded numbers larger than 700 are not supplied.

# PARTS LIST

\* New parts

Parts without **Parts No.** are not supplied.

Les articles non mentionnes dans le **Parts No.** ne sont pas fournis.

Teile ohne **Parts No.** werden nicht geliefert.

Ref.No.	A d d	N e w	Parts No.	Description	Dest inati on	Ref.No.	A d d	N e w	Parts No.	Description	Dest inati on
<b>KDC-5047U/BT50U/MP445U/U6046/KDC-U7046BT/X494</b>						<b>KMR-440U</b>					
201	1C		A02-2757-13	PLASTIC CABINET ASSY	M1M2M3	236	2C		G01-4750-04	TORSION COIL SPRING	
201	1C		A02-2757-13	PLASTIC CABINET ASSY	M4	237	2C		G01-4749-04	COMPRESSION SPRING	
202	3C	*	A21-6760-02	DRESSING PANEL	KM3M4	238	3C		G01-3244-04	COMPRESSION SPRING	
202	3C	*	A21-6761-02	DRESSING PANEL	K1E1M1			*	H54-4794-03	ITEM CARTON CASE	K
202	3C	*	A21-6761-02	DRESSING PANEL	M2E2			*	H54-4795-03	ITEM CARTON CASE	K1
								*	H54-4796-03	ITEM CARTON CASE	E1
								*	H54-4797-03	ITEM CARTON CASE	M1
202	3C	*	A21-6762-02	DRESSING PANEL	K2E3			*	H54-4798-03	ITEM CARTON CASE	M2
204	2C	*	A22-3264-13	SUB PANEL ASSY				*	H54-4800-03	ITEM CARTON CASE	E2
205	3D	*	A40-1388-02	BOTTOM PLATE				*	H54-4801-03	ITEM CARTON CASE	M3
206	2C	*	A46-1904-01	REAR COVER				*	H54-4802-03	ITEM CARTON CASE	M4
207	1D	*	A52-1109-11	TOP COVER				*	H54-4803-03	ITEM CARTON CASE	K2
								*	H54-4804-03	ITEM CARTON CASE	E3
PA1	3C	*	A64-5025-02	PANEL ASSY	K						
PA1	3C	*	A64-5026-02	PANEL ASSY	K1						
PA1	3C	*	A64-5027-02	PANEL ASSY	E1	243	1C	*	J22-0789-03	MOUNTING HARDWARE ASSY	
PA1	3C	*	A64-5028-02	PANEL ASSY	M1M2						
PA1	3C	*	A64-5031-02	PANEL ASSY	E2	251	3C	*	K24-5045-03	PUSH KNOB (SRC)	
						252	3C	*	K24-5046-03	PUSH KNOB (SEARCH)	
PA1	3C	*	A64-5032-02	PANEL ASSY	M3M4	253	3C	*	K24-5047-03	PUSH KNOB (RETURN)	
PA1	3C	*	A64-5056-02	PANEL ASSY	K2	254	3C	*	K24-5048-03	PUSH KNOB (FNC)	
PA1	3C	*	A64-5057-02	PANEL ASSY	E3	255	3C	*	K24-5055-03	PUSH KNOB (EJECT)	
RC1	1C		A70-2104-05	REMOTE CONTROLLER ASSY (RC-4C)	KK1M1	256	3C	*	K24-5056-04	PUSH KNOB (RELEASE)	
RC1	1C		A70-2104-05	REMOTE CONTROLLER ASSY (RC-4C)	M2M3M4	258	3C	*	K28-0398-04	KNOB ASSY (VOL)	
		*	B59-2005-00	SUB-INST. MANUAL (ENG.FRE.SPA.)	KK1K2						
		*	B59-2006-00	SUB-INST. MANUAL (ENG.FRE.)	E1E2E3	262	1C		N80-2006-48	PAN HEAD TAPTITE SCREW	KK1M1
		*	B59-2006-00	SUB-INST. MANUAL (GER.DUT.)	E1E2E3	262	1C		N80-2006-48	PAN HEAD TAPTITE SCREW	K2
		*	B59-2007-00	SUB-INST. MANUAL (ITA.SPA.POR.)	E1E2E3	262	1C		N80-2006-48	PAN HEAD TAPTITE SCREW	M2M3
		*	B59-2007-00	SUB-INST. MANUAL (RUS.UKR.)	E1E2E3	264	1C		N99-1757-15	SCREW SET	KK1M1
		*	B59-2008-00	SUB-INST. MANUAL (ENGLISH)	M1M2M3	264	1C		N99-1757-15	SCREW SET	K2
		*	B59-2008-00	SUB-INST. MANUAL (S-CHI.ARA.)	M4	264	1C		N99-1757-15	SCREW SET	M2M3
		*	B64-4640-00	INST. MANUAL (ENGLISH)	M1M2M3	B	3D		N09-6758-05	TAPTITE SCREW	
		*	B64-4640-00	INST. MANUAL (ENGLISH)	M4	D	2C		N80-2008-43	PAN HEAD TAPTITE SCREW	
		*	B64-4641-00	INST. MANUAL (S-CHINESE)	M1M3	H	1D		N86-2604-43	BINDING HEAD TAPTITE SCREW	
		*	B64-4642-00	INST. MANUAL (ARABIC)	M2M4	J	1D		N86-2606-48	BINDING HEAD TAPTITE SCREW	
211	1C		B07-3244-01	ESCUTCHEON	K1	265	3C	*	T91-1007-05	MICROHONE ASSY	E2M3
211	1C		B07-3245-01	ESCUTCHEON	KE1M1						
211	1C		B07-3245-01	ESCUTCHEON	M2E2M3	266	1C		W01-1664-05	CARRYING CASE (EXCELON)	K
211	1C		B07-3245-01	ESCUTCHEON	M4	266	1C		W01-1710-05	CARRYING CASE	K1E1E
						266	1C		W01-1710-05	CARRYING CASE	K2E3
211	1C		B07-3247-01	ESCUTCHEON	K2E3	267	1C	*	W01-1777-05	COMPACT DISC (INST. MANUAL)	E2K2E
212	3C	*	B11-2045-04	OPTICAL DIFFUSER		267	1C	*	W01-1777-05	COMPACT DISC (INST. MANUAL)	KK1E1
213	3C	*	B19-2558-03	LIGHTING BOARD (VOL)		268	3D	*	X34-6650-10	ELECTRIC UNIT (For IC50,71)	K
214	3C	*	B19-2560-03	LIGHTING BOARD (TRIANGLE)		268	3D	*	X34-6650-11	ELECTRIC UNIT (For IC50,71)	K1
216	3C	*	B43-1545-14	BADGE		268	3D	*	X34-6650-21	ELECTRIC UNIT (For IC50,71)	M1
						268	3D	*	X34-6650-22	ELECTRIC UNIT (For IC50,71)	M2
221	2C		D10-7099-03	LEVER		268	3D	*	X34-6652-71	ELECTRIC UNIT (For IC50,71)	E1
222	2C		D10-7098-03	LEVER							
223	1C		D10-7106-04	LEVER (ACCESSORY)		268	3D	*	X34-6660-21	ELECTRIC UNIT (For IC50,71)	M3
227	2D	*	E30-6944-05	CORD WITH CONNECTOR (REMOTE)	K2E3	268	3D	*	X34-6660-22	ELECTRIC UNIT (For IC50,71)	M4
⚠ DC1	1C	*	E30-6939-05	DC CORD	KK1M1	268	3D	*	X34-6662-70	ELECTRIC UNIT (For IC50,71)	E2
⚠ DC1	1C	*	E30-6939-05	DC CORD	K2	268	3D	*	X34-6670-10	ELECTRIC UNIT (For IC50,71)	K2
⚠ DC1	1C	*	E30-6939-05	DC CORD	M2M3M4	268	3D	*	X34-6672-71	ELECTRIC UNIT (For IC50,71)	E3
⚠ DC2	1C	*	E30-6940-05	DC CORD	E1E2E3						
FC1	2D		E39-1104-05	FLAT CABLE		DME1	1D		X92-6360-04	MECHANISM ASSY (DXM-9B34W)	
230	3C	*	F07-2220-03	COVER		<b>SWITCH UNIT (X16-68xx-xx)</b>					
231	2D		F11-1874-03	SHIELDING COVER		D11 ,12			B30-1779-05	LED (1608,SR)	E1E2
⚠ F1	2D		F52-0023-05	FUSE (MINI BLADE TYPE) (10A)		D12			B30-1779-05	LED (1608,SR)	KK1M1
						D12			B30-1779-05	LED (1608,SR)	K2E3

K: KDC-X494 K1: KDC-MP445U K2: KMR-440U M1: KDC-U6046 M2: KDC-U6046L  
M3: KDC-U7046BT M4: KDC-U7046BTL E1: KDC-5047U E2: KDC-BT50U E3: : KMR-440U

⚠ indicates safety critical components.

# PARTS LIST

## SWITCH UNIT (X16-68xx-xx)

Ref.No.	A d d	N e w	Parts No.	Description	Dest inati on	Ref.No.	A d d	N e w	Parts No.	Description	Dest inati on
D12			B30-1779-05	LED (1608,SR)	M2M3M4	R14 ,15			RK73GB2A472J	CHIP R 4.7K J 1/10W	M2M3M
D100-108			B30-3208-05	LED (RGB,F9)	E1E2	R14 ,15			RK73HB1J472J	CHIP R 4.7K J 1/16W	E1E2
D100-111			B30-3210-05	LED (1608,BLUE)	M3M4	R16			RK73GB2A101J	CHIP R 100 J 1/10W	KK1M1
D100-113			B30-3210-05	LED (1608,BLUE)	KK1M1	R16			RK73GB2A101J	CHIP R 100 J 1/10W	K2E3
D100-113			B30-3210-05	LED (1608,BLUE)	M2K2E3	R16			RK73GB2A101J	CHIP R 100 J 1/10W	M2M3M
D112			B30-3221-05	LED (HI GREEN)	M3M4	R16			RK73HB1J101J	CHIP R 100 J 1/16W	E1E2
D113			B30-1779-05	LED (1608,SR)	M3M4	R17			RK73GB2A303J	CHIP R 30K J 1/10W	M3
C3			CK73GB1A105K	CHIP C 1.0UF K	KK1M1	R17			RK73GB2A333J	CHIP R 33K J 1/10W	M4
C3			CK73GB1A105K	CHIP C 1.0UF K	M2M3M4	R17			RK73GB2A393J	CHIP R 39K J 1/10W	M1
C3			CK73HB0J105K	CHIP C 1.0UF K	E1E2	R17			RK73GB2A433J	CHIP R 43K J 1/10W	M2
C5 ,6			CK73GB1H103K	CHIP C 0.010UF K	KK1M1	R17			RK73GB2A513J	CHIP R 51K J 1/10W	K2E3
C5 ,6			CK73GB1H103K	CHIP C 0.010UF K	K2E3	R17 -19			RK73GB2A473J	CHIP R 47K J 1/10W	KK1
C5 ,6			CK73GB1H103K	CHIP C 0.010UF K	M2M3M4	R17 -19			RK73HB1J473J	CHIP R 47K J 1/16W	E1E2
C5 ,6			CK73HB1E103K	CHIP C 0.010UF K	E1E2	R18 ,19			RK73GB2A473J	CHIP R 47K J 1/10W	M1M2M
C7			CK73GB1H104K	CHIP C 0.10UF K	KK1M1	R18 ,19			RK73GB2A473J	CHIP R 47K J 1/10W	M4K2E
C7			CK73GB1H104K	CHIP C 0.10UF K	K2E3	R21			RK73GB2A561J	CHIP R 560 J 1/10W	KK1M1
C7			CK73GB1H104K	CHIP C 0.10UF K	M2M3M4	R21			RK73GB2A561J	CHIP R 560 J 1/10W	K2E3
C7			CK73HB1A104K	CHIP C 0.10UF K	E1E2	R21			RK73GB2A561J	CHIP R 560 J 1/10W	M2M3M
C8			CK73GB1H103K	CHIP C 0.010UF K	KK1M1	R21			RK73HB1J561J	CHIP R 560 J 1/16W	E1E2
C8			CK73GB1H103K	CHIP C 0.010UF K	K2E3	R22			RK73HB1J101J	CHIP R 100 J 1/16W	E1E2
C8			CK73GB1H103K	CHIP C 0.010UF K	M2M3M4	R22 -24			RK73GB2A101J	CHIP R 100 J 1/10W	KK1M1
C8			CK73HB1E103K	CHIP C 0.010UF K	E1E2	R22 -24			RK73GB2A101J	CHIP R 100 J 1/10W	K2E3
C10 ,11			CK73GB1H104K	CHIP C 0.10UF K		R22 -24			RK73GB2A101J	CHIP R 100 J 1/10W	M2M3M
C15			CK73FB0J226M	CHIP C 22UF M		R23			RK73GB2A361J	CHIP R 360 J 1/10W	E1E2
CN1			E41-1486-05	PIN ASSY	E2M3M4	R25			RK73GB2A473J	CHIP R 47K J 1/10W	K2E3
J1			E59-0855-05	RECTANGULAR PLUG		R25			RK73GB2A473J	CHIP R 47K J 1/10W	M2M3M
J2			E58-1129-05	RECTANGULAR RECEPTACLE		R25			RK73HB1J473J	CHIP R 47K J 1/16W	E1E2
J4			E11-0669-05	3.5D PHONE JACK		R26			RK73GB2A102J	CHIP R 1.0K J 1/10W	KK1M1
L1			L92-0616-05	CHIP FERRITE		R26			RK73GB2A102J	CHIP R 1.0K J 1/10W	K2E3
L2			L92-0386-05	CHIP FERRITE		R26			RK73GB2A102J	CHIP R 1.0K J 1/10W	M2M3M
X1			L78-0872-05	RESONATOR (12MHZ)		R26			RK73HB1J102J	CHIP R 1.0K J 1/16W	E1E2
CP2		*	RK74HB1J561J	CHIP-COM 560 J 1/16W		R27			RK73GB2A104J	CHIP R 100K J 1/10W	KK1M1
CP3			RK74HB1J223J	CHIP-COM 22K J 1/16W		R27			RK73GB2A104J	CHIP R 100K J 1/10W	KK1M1
CP4			RK74HB1J102J	CHIP-COM 1.0K J 1/16W		R27			RK73GB2A104J	CHIP R 100K J 1/10W	M2M3M
CP5			RK74HB1J223J	CHIP-COM 22K J 1/16W		R27			RK73HB1J104J	CHIP R 100K J 1/16W	E1E2
CP6			RK74HB1J102J	CHIP-COM 1.0K J 1/16W		R28 ,29			RK73GB2A223J	CHIP R 22K J 1/10W	KK1M1
CP7			RK74HB1J223J	CHIP-COM 22K J 1/16W		R28 ,29			RK73GB2A223J	CHIP R 22K J 1/10W	K2E3
CP8			RK74HB1J102J	CHIP-COM 1.0K J 1/16W		R28 ,29			RK73GB2A223J	CHIP R 22K J 1/10W	M2M3M
CP9			RK74HB1J101J	CHIP-COM 100 J 1/16W	KK1M1	R28 ,29			RK73HB1J223J	CHIP R 22K J 1/16W	E1E2
CP9			RK74HB1J101J	CHIP-COM 100 J 1/16W	K2E3	R30			RK73GB2A102J	CHIP R 1.0K J 1/10W	KK1M1
CP9			RK74HB1J101J	CHIP-COM 100 J 1/16W	M2M3M4	R30			RK73GB2A102J	CHIP R 1.0K J 1/10W	K2E3
CP9 -11			RK74HB1J101J	CHIP-COM 100 J 1/16W	E1E2	R30			RK73GB2A102J	CHIP R 1.0K J 1/10W	M2M3M
CP11			RK74HB1J101J	CHIP-COM 100 J 1/16W	KK1M1	R30			RK73HB1J102J	CHIP R 1.0K J 1/16W	E1E2
CP11			RK74HB1J101J	CHIP-COM 100 J 1/16W	K2E3	R32			RK73GB2A103J	CHIP R 10K J 1/10W	KK1M1
CP11			RK74HB1J101J	CHIP-COM 100 J 1/16W	M2M3M4	R32			RK73GB2A103J	CHIP R 10K J 1/10W	K2E3
CP12			RK74HB1J102J	CHIP-COM 1.0K J 1/16W		R32			RK73GB2A103J	CHIP R 10K J 1/10W	M2M3M
CP13,14			RK74HB1J101J	CHIP-COM 100 J 1/16W	E1E2	R32			RK73HB1J103J	CHIP R 10K J 1/16W	E1E2
R13			RK73GB2A101J	CHIP R 100 J 1/10W	KK1M1	R33			RK73GB2A101J	CHIP R 100 J 1/10W	KK1M1
R13			RK73GB2A101J	CHIP R 100 J 1/10W	K2E3	R33			RK73GB2A101J	CHIP R 100 J 1/10W	K2E3
R13			RK73GB2A101J	CHIP R 100 J 1/10W	M2M3M4	R33			RK73GB2A101J	CHIP R 100 J 1/10W	M2M3M
R13			RK73HB1J101J	CHIP R 100 J 1/16W	E1E2	R33			RK73HB1J101J	CHIP R 100 J 1/16W	E1E2
R14 ,15			RK73GB2A472J	CHIP R 4.7K J 1/10W	KK1M1	R34			RK73GB2A223J	CHIP R 22K J 1/10W	KK1M1
R14 ,15			RK73GB2A472J	CHIP R 4.7K J 1/10W	K2E3	R34			RK73GB2A223J	CHIP R 22K J 1/10W	K2E3
						R34			RK73GB2A223J	CHIP R 22K J 1/10W	M2M3M

K: KDC-X494 K1: KDC-MP445U K2: KMR-440U M1: KDC-U6046 M2: KDC-U6046L  
M3: KDC-U7046BT M4: KDC-U7046BTL E1: KDC-5047U E2: KDC-BT50U E3: : KMR-440U

⚠ indicates safety critical components.



# PARTS LIST

## SWITCH UNIT (X16-68xx-xx)

Ref.No.	A d d	N e w	Parts No.	Description	Dest inati on	Ref.No.	A d d	N e w	Parts No.	Description	Dest inati on
R34			RK73HB1J223J	CHIP R 22K J 1/16W	E1E2	R114,115			RK73GB2A111J	CHIP R 110 J 1/10W	E1E2
R35			RK73GB2A102J	CHIP R 1.0K J 1/10W	KK1M1	R116			RK73FB2B181J	CHIP R 180 J 1/8W	E1
R35			RK73GB2A102J	CHIP R 1.0K J 1/10W	K2E3	R117,118			RK73GB2A111J	CHIP R 110 J 1/10W	E1
R35			RK73GB2A102J	CHIP R 1.0K J 1/10W	M2M3M4	R119			RK73FB2B181J	CHIP R 180 J 1/8W	E1E2
R35			RK73HB1J102J	CHIP R 1.0K J 1/16W	E1E2	R120,121			RK73GB2A111J	CHIP R 110 J 1/10W	E1
R36			RK73GB2A101J	CHIP R 100 J 1/10W	KK1M1	R121			RK73GB2A111J	CHIP R 110 J 1/10W	E2
R36			RK73GB2A101J	CHIP R 100 J 1/10W	M2M3M4	R122			RK73FB2B181J	CHIP R 180 J 1/8W	E1E2
R36			RK73HB1J101J	CHIP R 100 J 1/16W	E1E2	R123,124			RK73GB2A111J	CHIP R 110 J 1/10W	E1E2
R37			RK73HB1J100J	CHIP R 10 J 1/16W	E1E2	R125			RK73FB2B181J	CHIP R 180 J 1/8W	E1E2
R37 ,38			RK73GB2A100J	CHIP R 10 J 1/10W	KK1M1	R126			RK73GB2A111J	CHIP R 110 J 1/10W	E1E2
R37 ,38			RK73GB2A100J	CHIP R 10 J 1/10W	K2E3	S1 -9	*	S70-0960-05	TACT SWITCH		
R37 ,38			RK73GB2A100J	CHIP R 10 J 1/10W	M2M3M4	S10	*	S70-0961-05	TACT SWITCH		
R38			RK73GB2A100J	CHIP R 10 J 1/10W	E1E2	D10			1SS355	DIODE	
R39			RK73GB2A301J	CHIP R 300 J 1/10W	KK1M1	D13			1SS355	DIODE	
R39			RK73GB2A301J	CHIP R 300 J 1/10W	K2E3	ED1			* GP1254AI	FLUORESCENT INDICATOR TUBE	
R39			RK73GB2A301J	CHIP R 300 J 1/10W	M2M3M4	IC1	*	W05-1609-00	MICROCONTROLLER IC		E1E2E
R39			RK73GB2A361J	CHIP R 360 J 1/10W	E1E2	IC1	*	W05-1609-00	MICROCONTROLLER IC		K2
R40			RK73GH2A201D	CHIP R 200 D 1/10W	KK1M1	IC1	*	W05-1610-00	MICROCONTROLLER IC		M1M3
R40			RK73GH2A201D	CHIP R 200 D 1/10W	K2E3	IC1	*	W05-1611-00	MICROCONTROLLER IC		M2M4
R40			RK73GH2A201D	CHIP R 200 D 1/10W	M2M3M4	IC1	*	W05-1612-00	MICROCONTROLLER IC		KK1
R40			RK73HH1J201D	CHIP R 200 D 1/16W	E1E2	IC3			PIC95603	ANALOGUE IC	E1E2K
R41			RK73GH2A471D	CHIP R 470 D 1/10W	KK1M1	IC3			PIC95603	ANALOGUE IC	K1M1N
R41			RK73GH2A471D	CHIP R 470 D 1/10W	K2E3	IC3			PIC95603	ANALOGUE IC	
R41			RK73GH2A471D	CHIP R 470 D 1/10W	M2M3M4	IC3			PIC95603	ANALOGUE IC	M3M4
R41			RK73HH1J471D	CHIP R 470 D 1/16W	E1E2	Q1			RT1N144M-T111	TRANSISTOR	KK1M1
R44 ,45			RK73GB2A330J	CHIP R 33 J 1/10W	KK1M1	Q1			RT1N144M-T111	TRANSISTOR	K2E3
R44 ,45			RK73GB2A330J	CHIP R 33 J 1/10W	K2E3	Q1			RT1N144M-T111	TRANSISTOR	M2M3N
R44 ,45			RK73GB2A330J	CHIP R 33 J 1/10W	M2M3M4	Q1 ,2			RT1N144M-T111	TRANSISTOR	E1E2
R46			RK73GB2A104J	CHIP R 100K J 1/10W	KK1M1	Q3			2SB1188	TRANSISTOR	
R46			RK73GB2A104J	CHIP R 100K J 1/10W	K2E3	Q100-102			RT1N237M-T111	TRANSISTOR	E1E2
R46			RK73GB2A104J	CHIP R 100K J 1/10W	M2M3M4	Q100,101			RT1N436M-T111	TRANSISTOR	KK1M1
R46			RK73HB1J104J	CHIP R 100K J 1/16W	E1E2	Q100,101			RT1N436M-T111	TRANSISTOR	K2E3
R50			RK73GB2A101J	CHIP R 100 J 1/10W	KK1M1	Q100,101			RT1N436M-T111	TRANSISTOR	M2M3N
R50			RK73GB2A101J	CHIP R 100 J 1/10W	K2E3	Q102-105			RT1N144M-T111	TRANSISTOR	KK1M1
R50			RK73GB2A101J	CHIP R 100 J 1/10W	M2M3M4	Q102-105			RT1N144M-T111	TRANSISTOR	K2E3
R50			RK73HB1J101J	CHIP R 100 J 1/16W	E1E2	Q102-105			RT1N144M-T111	TRANSISTOR	M2M3N
R51			RK73GB2A103J	CHIP R 10K J 1/10W	KK1M1	Q103-109			RT1N436M-T111	TRANSISTOR	E2
R51			RK73GB2A103J	CHIP R 10K J 1/10W	K2E3	Q103-114			RT1N436M-T111	TRANSISTOR	E1
R51			RK73GB2A103J	CHIP R 10K J 1/10W	M2M3M4	Q106			RT1N436M-T111	TRANSISTOR	KK1M1
R51			RK73HB1J103J	CHIP R 10K J 1/16W	E1E2	Q106			RT1N436M-T111	TRANSISTOR	K2E3
R100			RK73GB2A111J	CHIP R 110 J 1/10W	E1E2	Q106			RT1N436M-T111	TRANSISTOR	M2M3N
R100-111			RK73GB2A561J	CHIP R 560 J 1/10W	M3M4	Q113			RT1N436M-T111	TRANSISTOR	E2
R100-113			RK73GB2A561J	CHIP R 560 J 1/10W	KK1M1	<b>CD PLAYER UNIT (X32-6260-01) IN CD MECHA</b>					
R100-113			RK73GB2A561J	CHIP R 560 J 1/10W	M2K2E3	C1 ,2			CK73GB1A105K	CHIP C 1.0UF K	
R101			RK73FB2B181J	CHIP R 180 J 1/8W	E1E2	C3			CK73GB1A474K	CHIP C 0.47UF K	
R102,103			RK73GB2A111J	CHIP R 110 J 1/10W	E1E2	C4 -7			CK73GB1A105K	CHIP C 1.0UF K	
R104			RK73FB2B181J	CHIP R 180 J 1/8W	E1E2	C9			CK73GB1C104K	CHIP C 0.10UF K	
R105,106			RK73GB2A111J	CHIP R 110 J 1/10W	E1E2	C11			CK73GB1H153K	CHIP C 0.015UF K	
R107			RK73FB2B181J	CHIP R 180 J 1/8W	E1E2	C12			CK73GB1H103K	CHIP C 0.010UF K	
R108,109			RK73GB2A111J	CHIP R 110 J 1/10W	E1E2	C21			CK73GB1H103K	CHIP C 0.010UF K	
R110			RK73FB2B181J	CHIP R 180 J 1/8W	E1E2	C22			CC73GCH1H220J	CHIP C 22PF J	
R111,112			RK73GB2A111J	CHIP R 110 J 1/10W	E1E2	C23			CC73GCH1H180J	CHIP C 18PF J	
R112			RK73GB2A331J	CHIP R 330 J 1/10W	M3M4	C24 ,25			CK73GB1H103K	CHIP C 0.010UF K	
R113			RK73FB2B181J	CHIP R 180 J 1/8W	E1E2	C26			CK73FB0J106K	CHIP C 10UF K	
R113			RK73GB2A361J	CHIP R 360 J 1/10W	M3M4	C27			CK73GB1A105K	CHIP C 1.0UF K	

K: KDC-X494 K1: KDC-MP445U K2: KMR-440U M1: KDC-U6046 M2: KDC-U6046L  
M3: KDC-U7046BT M4: KDC-U7046BTL E1: KDC-5047U E2: KDC-BT50U E3: : KMR-440U

⚠ indicates safety critical components.

# PARTS LIST

## CD PLAYER UNIT (X32-6260-01) IN CD MECHA

Ref.No.	A d d	N e w	Parts No.	Description	Dest inati on	Ref.No.	A d d	N e w	Parts No.	Description	Dest inati on
C28			CK73GB1H103K	CHIP C 0.010UF K		R23			RK73GB2A223J	CHIP R 22K J 1/10W	
C29			CK73FB0J106K	CHIP C 10UF K		R24			RK73GB2A101J	CHIP R 100 J 1/10W	
C30 -33			CK73GB1H103K	CHIP C 0.010UF K		R25			RK73GB2A104J	CHIP R 100K J 1/10W	
C34 ,35			CC73GCH1H150J	CHIP C 15PF J		R26			RK73GB2A2R2J	CHIP R 2.2 J 1/10W	
C36			CK73GB1H103K	CHIP C 0.010UF K		R27			RK73GB2A101J	CHIP R 100 J 1/10W	
C37			CK73GB1A105K	CHIP C 1.0UF K		R28 ,29			RK73GB2A102J	CHIP R 1.0K J 1/10W	
C38			CK73GB1H103K	CHIP C 0.010UF K		R30			RK73GB2A223J	CHIP R 22K J 1/10W	
C51			CK73GB1C104K	CHIP C 0.10UF K		R31			RK73GB2A000J	CHIP R 0.0 J 1/10W	
C52			CK73GB1H222K	CHIP C 2200PF K		R33			RK73GB2A223J	CHIP R 22K J 1/10W	
C53			CK73FB1C105K	CHIP C 1.0UF K		R36			RK73GB2A102J	CHIP R 1.0K J 1/10W	
C54			CK73GB1H103K	CHIP C 0.010UF K		R38			RK73GB2A102J	CHIP R 1.0K J 1/10W	
C55			CK73GB1H332K	CHIP C 3300PF K		R41			RK73GB2A223J	CHIP R 22K J 1/10W	
C56			CK73GB1C104K	CHIP C 0.10UF K		R44			RK73GB2A223J	CHIP R 22K J 1/10W	
C57			CK73GB1H153K	CHIP C 0.015UF K		R45			RK73GB2A101J	CHIP R 100 J 1/10W	
C58			CK73GB1C104K	CHIP C 0.10UF K		R47			RK73GB2A000J	CHIP R 0.0 J 1/10W	
C59			CC73GCH1H680J	CHIP C 68PF J		R48			RK73GB2A105J	CHIP R 1.0M J 1/10W	
C61			CK73GB1C104K	CHIP C 0.10UF K		R49			RK73GB2A102J	CHIP R 1.0K J 1/10W	
C62			CK73FB0J106K	CHIP C 10UF K		R50			RK73GB2A223J	CHIP R 22K J 1/10W	
C63			CK73GB1H333K	CHIP C 0.033UF K		R51			RK73GB2A102J	CHIP R 1.0K J 1/10W	
C64			CK73GB1H472K	CHIP C 4700PF K		R52			RK73GB2A100J	CHIP R 10 J 1/10W	
C65			CK73GB1C104K	CHIP C 0.10UF K		R53			RK73GB2A153J	CHIP R 15K J 1/10W	
C66			CK73GB1H153K	CHIP C 0.015UF K		R54			RK73GB2A100J	CHIP R 10 J 1/10W	
C67			CK73GB1H103K	CHIP C 0.010UF K		R55			RK73GB2A153J	CHIP R 15K J 1/10W	
C68			CK73GB1C104K	CHIP C 0.10UF K		R57			RK73GB2A223J	CHIP R 22K J 1/10W	
C69			CK73FB0J106K	CHIP C 10UF K		R58 ,59			RK73GB2A101J	CHIP R 100 J 1/10W	
C71			CK73FB0J106K	CHIP C 10UF K		R63			RK73GB2A223J	CHIP R 22K J 1/10W	
C73 ,74			CK73GB1H102K	CHIP C 1000PF K		R65 ,66			RK73GB2A332J	CHIP R 3.3K J 1/10W	
C75 -77			CK73GB1C104K	CHIP C 0.10UF K		R67 -69			RK73GB2A101J	CHIP R 100 J 1/10W	
C78			CK73GB1A105K	CHIP C 1.0UF K		R70			RK73GB2A223J	CHIP R 22K J 1/10W	
C79 -81			CK73GB1C104K	CHIP C 0.10UF K		R81 ,82			RK73GB2A101J	CHIP R 100 J 1/10W	
C83			CC73GCH1H470J	CHIP C 47PF J		R84			RK73GB2A101J	CHIP R 100 J 1/10W	
C84			CK73GB1H153K	CHIP C 0.015UF K		R86			RK73GB2A101J	CHIP R 100 J 1/10W	
C85			CK73GB1A105K	CHIP C 1.0UF K		R88			RK73GB2A101J	CHIP R 100 J 1/10W	
C86			CK73GB1H103K	CHIP C 0.010UF K		R90 -94			RK73GB2A101J	CHIP R 100 J 1/10W	
C92			CK73FB1A225K	CHIP C 2.2UF K		R95 -98			RK73GB2A223J	CHIP R 22K J 1/10W	
C93			CC73GCH1H101J	CHIP C 100PF J		R101			RK73GB2A221J	CHIP R 220 J 1/10W	
C94			CC73GCH1H560J	CHIP C 56PF J		R102			RK73GB2A4R7J	CHIP R 4.7 J 1/10W	
C101,102			CK73GB1H103K	CHIP C 0.010UF K		R103			RK73GB2A102J	CHIP R 1.0K J 1/10W	
C113			CK73GB1C104K	CHIP C 0.10UF K		R104			RK73GB2A225J	CHIP R 2.2M J 1/10W	
CN1			E41-2954-05	FLAT CABLE CONNECTOR		R105			RK73GB2A104J	CHIP R 100K J 1/10W	
CN2			E41-2083-15	FLAT CABLE CONNECTOR		R106			RK73GB2A472J	CHIP R 4.7K J 1/10W	
X1			L77-2964-05	CRYSTAL RESONATOR (9.00MHZ)		R107			RK73GB2A560J	CHIP R 56 J 1/10W	
X2			L77-2921-15	CRYSTAL RESONATOR (32.768KHZ)		R108			RK73GB2A333J	CHIP R 33K J 1/10W	
X3			L78-1221-05	RESONATOR (16.93MHZ)		R109			RK73GB2A622J	CHIP R 6.2K J 1/10W	
CP10			RK74GA1J101J	CHIP-COM 100 J 1/16W		R110			RK73GB2A913J	CHIP R 91K J 1/10W	
CP11,12			RK74GB1J101J	CHIP-COM 100 J 1/16W		R112,113			RK73GB2A4R7J	CHIP R 4.7 J 1/10W	
CP15			RK74GB1J103J	CHIP-COM 10K J 1/16W		R115			RK73GB2A105J	CHIP R 1.0M J 1/10W	
CP22			RK74GB1J103J	CHIP-COM 10K J 1/16W		R116			RK73GB2A681J	CHIP R 680 J 1/10W	
R1 ,2			RK73EB2E4R7J	CHIP R 4.7 J 1/4W		R117-121			RK73GB2A103J	CHIP R 10K J 1/10W	
R3			RK73GB2A202J	CHIP R 2.0K J 1/10W		R123			RK73GB2A104J	CHIP R 100K J 1/10W	
R4			RK73GB2A103J	CHIP R 10K J 1/10W		R127			RK73GB2A153J	CHIP R 15K J 1/10W	
R10			RK73GB2A000J	CHIP R 0.0 J 1/10W		R128			RK73GB2A334J	CHIP R 330K J 1/10W	
R19			RK73GB2A223J	CHIP R 22K J 1/10W		R131			RK73GB2A204J	CHIP R 200K J 1/10W	
R21			RK73GB2A102J	CHIP R 1.0K J 1/10W		R132			RK73GB2A101J	CHIP R 100 J 1/10W	
						R136			RK73GB2A363J	CHIP R 36K J 1/10W	

K: KDC-X494 K1: KDC-MP445U K2: KMR-440U M1: KDC-U6046 M2: KDC-U6046L  
M3: KDC-U7046BT M4: KDC-U7046BTL E1: KDC-5047U E2: KDC-BT50U E3: : KMR-440U

⚠ indicates safety critical components.

# PARTS LIST

## CD PLAYER UNIT (X32-6260-01) IN CD MECHA

Ref.No.	A d d	N e w	Parts No.	Description	Dest inati on	Ref.No.	A d d	N e w	Parts No.	Description	Dest inati on
R137			RK73GB2A223J	CHIP R 22K J 1/10W		C81			CK73GB1H222K	CHIP C 2200PF K	
R139			RK73GB2A393J	CHIP R 39K J 1/10W		C82			CK73FB0J106K	CHIP C 10UF K	
R151			RK73GB2A333J	CHIP R 33K J 1/10W		C83			CK73GB1H104K	CHIP C 0.10UF K	
R152			RK73GB2A223J	CHIP R 22K J 1/10W		C84			CK73GB0J475K	CHIP C 4.7UF K	
R173-178			RK73GB2A2R2J	CHIP R 2.2 J 1/10W		C85			CK73GB1H103K	CHIP C 0.010UF K	
R180			RK73GB2A102J	CHIP R 1.0K J 1/10W		C86			CK73FB1E475K	CHIP C 4.7UF K	
S1 ,2			S68-0924-05	PUSH SWITCH		C87 ,88			CK73GB1H103K	CHIP C 0.010UF K	
D1			DAP202U	DIODE		C89			CK73GB1C225K	CHIP C 2.2UF K	
D2 ,3			DA204U	DIODE		C90			CD04BA1C100M	ELECTRO 10UF 16WV	K
IC1			92CD28AFG7E0	MICROCONTROLLER IC		C91 ,92			CK73GB1H102K	CHIP C 1000PF K	K
IC2			TC94A92FG-301	MOS-IC		C93			CD04BA1C100M	ELECTRO 10UF 16WV	K
IC3			BD8222EFV	ANALOGUE IC		C94			CK73GB1H104K	CHIP C 0.10UF K	
IC4			MFI341S2162	MICROPROCESSOR IC		C95			CC73GCH1H331J	CHIP C 330PF J	
IC5			74AHCT08PW	MOS-IC		C96			CK73GB1H104K	CHIP C 0.10UF K	
IC6			74LVC08APW	MOS-IC		C97			CK73GB1H103K	CHIP C 0.010UF K	
IC7			XC6415S001P1	MOS-IC		C101,102			CK73GB1H103K	CHIP C 0.010UF K	
IC9			XC6219B332MR	ANALOGUE IC		C120			CK73GB1H104K	CHIP C 0.10UF K	
Q3			RUE003N02	FET		C121			CK73GB1A105K	CHIP C 1.0UF K	
Q5			2SA1577	TRANSISTOR		C122			CD04BA1H3R3M	ELECTRO 3.3UF 50WV	
Q6			DTC114YUA	DIGITAL TRANSISTOR		C140			CK73GB1A105K	CHIP C 1.0UF K	
Q7			2SA1365-T1(E)	TRANSISTOR		C141			CK73GB1H223K	CHIP C 0.022UF K	
Q9			DTC144EUA	DIGITAL TRANSISTOR		C142			CK73GB1H103K	CHIP C 0.010UF K	
<b>ELECTRIC UNIT (X34-66xx-xx)</b>						C150			CK73GB1H102K	CHIP C 1000PF K	K2E3
C2			CD04AZ1C332M2	ELECTRO 3300UF 16WV		C151,152			CK73GB1H104K	CHIP C 0.10UF K	K2E3
C20			CD04BF1C221M	ELECTRO 220UF 16WV		C153			CK73GB1H103K	CHIP C 0.010UF K	K2E3
C22			CK73GB1A105K	CHIP C 1.0UF K		C154			CK73GB1C104K	CHIP C 0.10UF K	K2E3
C30			CK73EB1C106K	CHIP C 10UF K		C155			C93-0059-05	CERAMIC 1UF K	K2E3
C31			CK73FB0J106K	CHIP C 10UF K		C156			CK73GB1A105K	CHIP C 1.0UF K	K2E3
C32			CK73GB1H103K	CHIP C 0.010UF K		C170			CC73GCH1H150J	CHIP C 15PF J	
C33			C90-6851-05	ELECTRO 220UF 25WV		C200-203			CK73GB1H392K	CHIP C 3900PF K	
C40			CD04AJ1C101M	ELECTRO 100UF 16WV		C204			CK73GB1A105K	CHIP C 1.0UF K	
C41			CK73GB1A474K	CHIP C 0.47UF K		C205			CD04BA1C100M	ELECTRO 10UF 16WV	
C50			CK73GB0J106M	CHIP C 10UF M		C207			CK73GB1H103K	CHIP C 0.010UF K	
C51			CC73GCH1H220J	CHIP C 22PF J		C208			CC73GCH1H221J	CHIP C 220PF J	
C52			CK73GB0J106M	CHIP C 10UF M		C209			CK73GB1C224K	CHIP C 0.22UF K	
C53			CK73GB1A474K	CHIP C 0.47UF K		C210			CC73GCH1H221J	CHIP C 220PF J	
C54			CK73GB1H103K	CHIP C 0.010UF K		C211			CK73GB1C224K	CHIP C 0.22UF K	
C55			CK73EB1H475K	CHIP C 4.7UF K		C212			CC73GCH1H221J	CHIP C 220PF J	
C56			CK73GB1C224K	CHIP C 0.22UF K		C213			CK73GB1C224K	CHIP C 0.22UF K	
C57			CC73GCH1H331J	CHIP C 330PF J		C214			CC73GCH1H221J	CHIP C 220PF J	
C58			CK73GB1H104K	CHIP C 0.10UF K		C215			CK73GB1C224K	CHIP C 0.22UF K	
C59			CK73GB1H103K	CHIP C 0.010UF K		C216			CK73GB1H103K	CHIP C 0.010UF K	
C60			CD04BF1C221M	ELECTRO 220UF 16WV		C217			CK73FB1C105K	CHIP C 1.0UF K	
C61			CK73GB1C104K	CHIP C 0.10UF K		C218-221			CK73GB1H392K	CHIP C 3900PF K	
C64			CK73GB1H104K	CHIP C 0.10UF K		C222			CK73GB1A105K	CHIP C 1.0UF K	
C71			C93-0059-05	CERAMIC 1UF K		C300			CK73GB1A105K	CHIP C 1.0UF K	
C72			CK73GB1H102K	CHIP C 1000PF K		C301			CK73GB1A474K	CHIP C 0.47UF K	
C73			CK73GB1H103K	CHIP C 0.010UF K		C302			CK73GB1A105K	CHIP C 1.0UF K	
C74 -76			CK73GB1H104K	CHIP C 0.10UF K		C303			CK73GB1A474K	CHIP C 0.47UF K	
C77			CK73FB1E475K	CHIP C 4.7UF K		C304-306			CK73GB1A105K	CHIP C 1.0UF K	
C78			CK73GB1H103K	CHIP C 0.010UF K		C308			CK73GB1A105K	CHIP C 1.0UF K	
C79			CK73GB1H104K	CHIP C 0.10UF K		C309			CD04AS1H2R2M	ELECTRO 2.2UF 50WV	
C80			CK73GB1H103K	CHIP C 0.010UF K		C310			CK73GB1A105K	CHIP C 1.0UF K	
						C312			CD04AS1H2R2M	ELECTRO 2.2UF 50WV	
						C313,314			CC73GCH1H100D	CHIP C 10PF D	

K: KDC-X494 K1: KDC-MP445U K2: KMR-440U M1: KDC-U6046 M2: KDC-U6046L  
M3: KDC-U7046BT M4: KDC-U7046BTL E1: KDC-5047U E2: KDC-BT50U E3: : KMR-440U

⚠ indicates safety critical components.

# PARTS LIST

## ELECTRIC UNIT (X34-66xx-xx)

Ref.No.	A d d	N e w	Parts No.	Description	Dest inati on	Ref.No.	A d d	N e w	Parts No.	Description	Dest inati on
C315			CD04AS1H2R2M	ELECTRO 2.2UF 50WV		C900,901			CK73GB1H104K	CHIP C 0.10UF K	E2M3N
C316			CK73GB1H103K	CHIP C 0.010UF K		C911			CK73GB1H104K	CHIP C 0.10UF K	E2M3N
C317			CC73GCH1H470J	CHIP C 47PF J		C915,916			CC73GCH1H221J	CHIP C 220PF J	E2M3N
C318			CD04AS1V100M	ELECTRO 10UF 35WV		C917,918			CK73GB1H102K	CHIP C 1000PF K	E2M3N
C319-322			CK73GB1A105K	CHIP C 1.0UF K		C920,921			CK73GB1A105K	CHIP C 1.0UF K	E2M3N
C323			CC73GCH1H330J	CHIP C 33PF J		C923			CC73GCH1H220J	CHIP C 22PF J	E2M3N
C350			CK73EB1A475K	CHIP C 4.7UF K		C924,925			CK73GB1A105K	CHIP C 1.0UF K	E2M3N
C351			CC73GCH1H101J	CHIP C 100PF J		C940			CK73FB0J106K	CHIP C 10UF K	E2M3N
C352-355			CK73GB1A105K	CHIP C 1.0UF K		C941			CK73GB1A105K	CHIP C 1.0UF K	E2M3N
C356			CK73GB1H103K	CHIP C 0.010UF K		C942-944			CC73GCH1H220J	CHIP C 22PF J	E2M3N
C357			CK73GB0J225K	CHIP C 2.2UF K		C945,946			CK73GB1A105K	CHIP C 1.0UF K	
C382			CD04AS1C470M	ELECTRO 47UF 16WV		C949,950			CK73GB1A105K	CHIP C 1.0UF K	
C400			CK73FB1E474K	CHIP C 0.47UF K	KK1E1						
C400			CK73FB1E474K	CHIP C 0.47UF K	M1M2M3	CN150			E41-1703-05	PIN ASSY	K2E3
C400			CK73FB1E474K	CHIP C 0.47UF K	M4K2E3	CN170			E41-1822-05	FLAT CABLE CONNECTOR	
C401			CD04AT0J470M	ELECTRO 47UF 6.3WV	KK1E1	CN910			E41-3140-05	PIN ASSY	E2M3N
C401			CD04AT0J470M	ELECTRO 47UF 6.3WV	M1M2M3	J1			E58-0991-05	RECTANGULAR RECEPTACLE	
C401			CD04AT0J470M	ELECTRO 47UF 6.3WV	M4K2E3	J400			E56-0855-05	CYLINDRICAL RECEPTACLE	KK1E1
C402			CK73FB1E474K	CHIP C 0.47UF K	KK1E1	J400			E56-0855-05	CYLINDRICAL RECEPTACLE	M1M2M
C402			CK73FB1E474K	CHIP C 0.47UF K	M1M2M3	J400			E56-0855-05	CYLINDRICAL RECEPTACLE	M4K2E
C402			CK73FB1E474K	CHIP C 0.47UF K	M4K2E3	J600			E63-0972-05	PIN JACK	
C403			CK73GB1H103K	CHIP C 0.010UF K	KK1E1	J800			E58-1095-15	RECTANGULAR RECEPTACLE	
C403			CK73GB1H103K	CHIP C 0.010UF K	M1M2M3	J801			E11-0625-05	PHONE JACK	E2M3N
C403			CK73GB1H103K	CHIP C 0.010UF K	M4K2E3						
C500			CK73GB1C104K	CHIP C 0.10UF K	M1M2M3	W701	2D		E30-6438-05	CORD WITH PLUG	
C501			CK73GB1H103K	CHIP C 0.010UF K	M4K2E3	L1			L33-2365-05	CHOKE COIL ASSY	
C502,503			CC73GCH1H220J	CHIP C 22PF J		L50			L92-0365-05	CHIP FERRITE	
C504-506			CK73GB1C104K	CHIP C 0.10UF K		L51		*	L33-2561-05	SMALL FIXED INDUCTOR (10UH)	
C507,508			CK73GB1H103K	CHIP C 0.010UF K		L52		*	L92-0672-05	CHIP FERRITE	
C509			CK73GB1C104K	CHIP C 0.10UF K		L53			L92-0365-05	CHIP FERRITE	
C510			CK73GB1H103K	CHIP C 0.010UF K		L70			L92-0612-05	CHIP FERRITE	
C511			CD04AS0J470M	ELECTRO 47UF 6.3WV		L71		*	L33-2598-05	SMALL FIXED INDUCTOR (33UH)	
C512			CK73GB1A105K	CHIP C 1.0UF K		L72			L92-0365-05	CHIP FERRITE	
C513			CK73GB1H103K	CHIP C 0.010UF K		L73		*	L33-2597-05	SMALL FIXED INDUCTOR (10UH)	
C515			CK73GB1H103K	CHIP C 0.010UF K		L74			L92-0365-05	CHIP FERRITE	
C516			CC73GCH1H101J	CHIP C 100PF J		L75			L92-0612-05	CHIP FERRITE	
C517			CC73GCH1H102J	CHIP C 1000PF J		L76			L92-0076-05	CHIP FERRITE	
C610			CD04AS1V100M	ELECTRO 10UF 35WV		L77		*	L92-0672-05	CHIP FERRITE	
C611,612			CK73GB1H102K	CHIP C 1000PF K		L90			L92-0386-05	CHIP FERRITE	
C613			CD04AS1V100M	ELECTRO 10UF 35WV		L500			L92-0612-05	CHIP FERRITE	
C620			CD04AS1V100M	ELECTRO 10UF 35WV		X500			L78-0872-05	RESONATOR (12MHZ)	
C621,622			CK73GB1H102K	CHIP C 1000PF K		X501			L77-2921-15	CRYSTAL RESONATOR (32.768KHZ)	
C623			CD04AS1V100M	ELECTRO 10UF 35WV		X750			L77-3825-05	CRYSTAL RESONATOR (4.332MHZ)	E1E2E
C630			CD04AS1V100M	ELECTRO 10UF 35WV		K	2D		N80-3008-48	PAN HEAD TAPTITE SCREW	
C631,632			CK73GB1H102K	CHIP C 1000PF K		L	2D		N83-3005-48	PAN HEAD TAPTITE SCREW	
C633			CD04AS1V100M	ELECTRO 10UF 35WV		M	2D		N83-3008-48	PAN HEAD TAPTITE SCREW	
C700-704			CK73GB1H103K	CHIP C 0.010UF K		N	2D		N83-3016-48	PAN HEAD TAPTITE SCREW	
C751			CK73GB0J225K	CHIP C 2.2UF K		P	2D		N86-2604-43	BINDING HEAD TAPTITE SCREW	
C752			CC73GCH1H271J	CHIP C 270PF J	E1E2E3	CP500			RK74HB1J101J	CHIP-COM 100 J 1/16W	
C753			CK73GB1H103K	CHIP C 0.010UF K	E1E2E3	CP501			RK74GA1J101J	CHIP-COM 100 J 1/16W	KK1E1
C754,755			CC73GCH1H120J	CHIP C 12PF J	E1E2E3	CP501			RK74GA1J101J	CHIP-COM 100 J 1/16W	M1M2M
C800			CK73FB1E474K	CHIP C 0.47UF K		CP501			RK74GA1J101J	CHIP-COM 100 J 1/16W	M4K2E
C802			CD04AT0J470M	ELECTRO 47UF 6.3WV		CP502			RK74HB1J101J	CHIP-COM 100 J 1/16W	E2
C803			CK73GB1H103K	CHIP C 0.010UF K		CP502,503			RK74HB1J101J	CHIP-COM 100 J 1/16W	KK1E1
C805			CK73FB1E474K	CHIP C 0.47UF K		CP502,503			RK74HB1J101J	CHIP-COM 100 J 1/16W	M1M2M

K: KDC-X494 K1: KDC-MP445U K2: KMR-440U M1: KDC-U6046 M2: KDC-U6046L  
M3: KDC-U7046BT M4: KDC-U7046BTL E1: KDC-5047U E2: KDC-BT50U E3: : KMR-440U

⚠ indicates safety critical components.

# PARTS LIST

## ELECTRIC UNIT (X34-66xx-xx)

Ref.No.	A d d	N e w	Parts No.	Description	Dest inati on	Ref.No.	A d d	N e w	Parts No.	Description	Dest inati on
CP502,503			RK74HB1J101J	CHIP-COM 100 J 1/16W	M4K2E3	R97			RK73GB2A621J	CHIP R 620 J 1/10W	
CP505			RK74GA1J222J	CHIP-COM 2.2K J 1/16W		R98			RK73GB2A1R0J	CHIP R 1.0 J 1/10W	
CP506,507			RK74HB1J101J	CHIP-COM 100 J 1/16W		R100,101			RK73GB2A103J	CHIP R 10K J 1/10W	
CP508,509			RK74GA1J101J	CHIP-COM 100 J 1/16W		R106			RK73GB2A183J	CHIP R 18K J 1/10W	
CP750			RK74HB1J222J	CHIP-COM 2.2K J 1/16W	E1E2E3	R107			RK73GB2A104J	CHIP R 100K J 1/10W	
R1 ,2			RK73EB2E103J	CHIP R 10K J 1/4W		R108			RK73FB2B203J	CHIP R 20K J 1/8W	
R20			RK73GH2A243D	CHIP R 24K D 1/10W		R109			RK73EB2E473J	CHIP R 47K J 1/4W	
R21			RK73GH2A432D	CHIP R 4.3K D 1/10W		R110			RK73FB2B683J	CHIP R 68K J 1/8W	
R22			RK73FB2B221J	CHIP R 220 J 1/8W		R111			RK73GB2A473J	CHIP R 47K J 1/10W	
R23			RK73GB2A102J	CHIP R 1.0K J 1/10W		R112-114			RK73EB2E102J	CHIP R 1.0K J 1/4W	
R30			RK73FB2B822J	CHIP R 8.2K J 1/8W		R120,121			RK73PB2H561J	CHIP R 560 J 1/2W	
R31			RK73GB2A223J	CHIP R 22K J 1/10W		R122			RK73GB2A223J	CHIP R 22K J 1/10W	
R33			RK73FB2B473J	CHIP R 47K J 1/8W		R123,124			RK73PB2H561J	CHIP R 560 J 1/2W	
R34			RK73EB2E1R0J	CHIP R 1.0 J 1/4W		R125			RK73FB2B472J	CHIP R 4.7K J 1/8W	
R41			RK73EB2E681J	CHIP R 680 J 1/4W		R126			RK73GB2A223J	CHIP R 22K J 1/10W	KK1M1
R50			RK73GH2A163D	CHIP R 16K D 1/10W		R126			RK73GB2A223J	CHIP R 22K J 1/10W	K2
R51			RK73GH2A823D	CHIP R 82K D 1/10W		R126			RK73GB2A223J	CHIP R 22K J 1/10W	M2M3
R52			RK73GB2A622J	CHIP R 6.2K J 1/10W		R127			RK73GB2A000J	CHIP R 0.0 J 1/10W	E1E2E
R53			RK73GB2A333J	CHIP R 33K J 1/10W		R128,129			RK73PB2H221J	CHIP R 220 J 1/2W	KK1M1
R54			RK73GH2A153D	CHIP R 15K D 1/10W		R128,129			RK73PB2H221J	CHIP R 220 J 1/2W	K2
R55			RK73GB2A330J	CHIP R 33 J 1/10W		R128,129			RK73PB2H221J	CHIP R 220 J 1/2W	M2M3
R56 -59			RK73EB2E201J	CHIP R 200 J 1/4W	E3	R130			RK73FB2B472J	CHIP R 4.7K J 1/8W	
R56 -59			RK73EB2E201J	CHIP R 200 J 1/4W	KK1E1	R140,141			RK73GB2A104J	CHIP R 100K J 1/10W	
R56 -59			RK73EB2E201J	CHIP R 200 J 1/4W	M1M2K2	R142			RK73GB2A473J	CHIP R 47K J 1/10W	
R60			RK73GB2A223J	CHIP R 22K J 1/10W		R150			RK73EB2E471J	CHIP R 470 J 1/4W	
R61			RK73GB2A102J	CHIP R 1.0K J 1/10W	E3	R151			RK73GB2A332J	CHIP R 3.3K J 1/10W	K2E3
R61			RK73GB2A102J	CHIP R 1.0K J 1/10W	KK1E1	R152			RK73GB2A104J	CHIP R 100K J 1/10W	K2E3
R61			RK73GB2A102J	CHIP R 1.0K J 1/10W	M1M2K2	R153			RK73GB2A103J	CHIP R 10K J 1/10W	K2E3
R62			RK73GB2A223J	CHIP R 22K J 1/10W	E3	R154,155			RK73GB2A471J	CHIP R 470 J 1/10W	K2E3
R62			RK73GB2A223J	CHIP R 22K J 1/10W	KK1E1	R156			RK73GB2A103J	CHIP R 10K J 1/10W	K2E3
R62			RK73GB2A223J	CHIP R 22K J 1/10W	M1M2K2	R157			RK73EB2E101J	CHIP R 100 J 1/4W	K2E3
R70 ,71			RK73GB2A473J	CHIP R 47K J 1/10W		R158			RK73GB2A223J	CHIP R 22K J 1/10W	K2E3
R72			RK73GH2A753D	CHIP R 75K D 1/10W		R159			RK73EB2E100J	CHIP R 10 J 1/4W	K2E3
R73			RK73GH2A132D	CHIP R 1.3K D 1/10W		R160			RK73GB2A473J	CHIP R 47K J 1/10W	K2E3
R74			RK73EB2E113J	CHIP R 11K J 1/4W		R161			RK73GB2A163J	CHIP R 16K J 1/10W	K2E3
R76			RK73GB2A1R0J	CHIP R 1.0 J 1/10W		R163-165			RK73GB2A473J	CHIP R 47K J 1/10W	K2E3
R77			RK73GB2A333J	CHIP R 33K J 1/10W		R166			RK73FB2B4R7J	CHIP R 4.7 J 1/8W	K2E3
R79			RK73GB2A330J	CHIP R 33 J 1/10W		R167			RK73GB2A104J	CHIP R 100K J 1/10W	K2E3
R80			RK73GH2A163D	CHIP R 16K D 1/10W		R168			RK73GB2A334J	CHIP R 330K J 1/10W	K2E3
R81			RK73GH2A103D	CHIP R 10K D 1/10W		R170			RK73GB2A100J	CHIP R 10 J 1/10W	
R82			RK73GH2A132D	CHIP R 1.3K D 1/10W		R201			RK73GB2A333J	CHIP R 33K J 1/10W	
R83			RK73GH2A331D	CHIP R 330 D 1/10W		R202			RK73GB2A000J	CHIP R 0.0 J 1/10W	
R84			RK73GB2A822J	CHIP R 8.2K J 1/10W		R204-207	*		RK73GB2A680JH	CHIP R 68 J 1/10W	
R85			RK73EB2E113J	CHIP R 11K J 1/4W		R209			RK73GB2A000J	CHIP R 0.0 J 1/10W	
R86			RK73EB2E102J	CHIP R 1.0K J 1/4W		R210			RK73GB2A104J	CHIP R 100K J 1/10W	
R87			RK73GH2A752D	CHIP R 7.5K D 1/10W		R211	*		RK73GB2A100JH	CHIP R 10 J 1/10W	
R88			RK73GH2A132D	CHIP R 1.3K D 1/10W		R212			RK73GB2A432J	CHIP R 4.3K J 1/10W	
R89			RK73GH2A101D	CHIP R 100 D 1/10W		R213			RK73GB2A331J	CHIP R 330 J 1/10W	
R90			RK73GB2A362J	CHIP R 3.6K J 1/10W	K	R214			RK73GB2A223J	CHIP R 22K J 1/10W	
R91			RK73GB2A432J	CHIP R 4.3K J 1/10W	K	R216			RK73GB2A912J	CHIP R 9.1K J 1/10W	
R92			RK73GB2A562J	CHIP R 5.6K J 1/10W	K	R300			RK73GB2A103J	CHIP R 10K J 1/10W	
R93			RK73GB2A2R2J	CHIP R 2.2 J 1/10W	K	R301,302	*		RK73GB2A220JH	CHIP R 22 J 1/10W	
R94			RK73FB2B102J	CHIP R 1.0K J 1/8W	K	R303			RK73GB2A103J	CHIP R 10K J 1/10W	
R95			RK73GB2A102J	CHIP R 1.0K J 1/10W		R304			RK73GB2A100J	CHIP R 10 J 1/10W	
R96			RK73GB2A561J	CHIP R 560 J 1/10W		R305			RK73GB2A222J	CHIP R 2.2K J 1/10W	K

K: KDC-X494 K1: KDC-MP445U K2: KMR-440U M1: KDC-U6046 M2: KDC-U6046L  
M3: KDC-U7046BT M4: KDC-U7046BTL E1: KDC-5047U E2: KDC-BT50U E3: : KMR-440U

▲ indicates safety critical components.

# PARTS LIST

## ELECTRIC UNIT (X34-66xx-xx)

Ref.No.	A d d	N e w	Parts No.	Description	Dest inati on	Ref.No.	A d d	N e w	Parts No.	Description	Dest inati on
R306			RK73GB2A101J	CHIP R 100 J 1/10W	K	R510			RK73GB2A102J	CHIP R 1.0K J 1/10W	
R350			RK73GB2A473J	CHIP R 47K J 1/10W		R511			RK73GB2A473J	CHIP R 47K J 1/10W	
R352			RK73GB2A333J	CHIP R 33K J 1/10W		R512,513			RK73GB2A101J	CHIP R 100 J 1/10W	KK1E1
R353			RK73GB2A473J	CHIP R 47K J 1/10W		R512,513			RK73GB2A101J	CHIP R 100 J 1/10W	M1M2M
R354			RK73GB2A334J	CHIP R 330K J 1/10W		R512,513			RK73GB2A101J	CHIP R 100 J 1/10W	M4K2E
R355			RK73GB2A102J	CHIP R 1.0K J 1/10W		R513			RK73GB2A101J	CHIP R 100 J 1/10W	E2
R356			RK73GB2A821J	CHIP R 820 J 1/10W		R514			RK73GB2A102J	CHIP R 1.0K J 1/10W	
R357			RK73GB2A473J	CHIP R 47K J 1/10W		R515			RK73GB2A101J	CHIP R 100 J 1/10W	
R358			RK73GB2A334J	CHIP R 330K J 1/10W		R516			RK73GB2A222J	CHIP R 2.2K J 1/10W	
R359			RK73GB2A104J	CHIP R 100K J 1/10W		R518			RK73GB2A104J	CHIP R 100K J 1/10W	
R360,361			RK73GB2A103J	CHIP R 10K J 1/10W		R519			RK73GB2A473J	CHIP R 47K J 1/10W	KK1E1
R380			RK73EB2E2R2J	CHIP R 2.2 J 1/4W		R519			RK73GB2A473J	CHIP R 47K J 1/10W	M1M2M
R400,401			RK73EB2E432J	CHIP R 4.3K J 1/4W	KK1E1	R519			RK73GB2A473J	CHIP R 47K J 1/10W	M4K2E
R400,401			RK73EB2E432J	CHIP R 4.3K J 1/4W	M1M2M3	R520			RK73GB2A101J	CHIP R 100 J 1/10W	KK1E1
R400,401			RK73EB2E432J	CHIP R 4.3K J 1/4W	M4K2E3	R520			RK73GB2A101J	CHIP R 100 J 1/10W	M1M2M
R402			RK73EB2E102J	CHIP R 1.0K J 1/4W	KK1E1	R520			RK73GB2A101J	CHIP R 100 J 1/10W	M4K2E
R402			RK73EB2E102J	CHIP R 1.0K J 1/4W	M1M2M3	R521			RK73GB2A473J	CHIP R 47K J 1/10W	KK1E1
R402			RK73EB2E102J	CHIP R 1.0K J 1/4W	M4K2E3	R521			RK73GB2A473J	CHIP R 47K J 1/10W	M1M2M
R403			RK73EB2E432J	CHIP R 4.3K J 1/4W	KK1E1	R521			RK73GB2A473J	CHIP R 47K J 1/10W	M4K2E
R403			RK73EB2E432J	CHIP R 4.3K J 1/4W	M1M2M3	R522			RK73GB2A102J	CHIP R 1.0K J 1/10W	
R403			RK73EB2E432J	CHIP R 4.3K J 1/4W	M4K2E3	R523			RK73GB2A104J	CHIP R 100K J 1/10W	E2
R404			RK73EB2E102J	CHIP R 1.0K J 1/4W	KK1E1	R523,524			RK73GB2A104J	CHIP R 100K J 1/10W	KK1E1
R404			RK73EB2E102J	CHIP R 1.0K J 1/4W	M1M2M3	R523,524			RK73GB2A104J	CHIP R 100K J 1/10W	M1M2M
R404			RK73EB2E102J	CHIP R 1.0K J 1/4W	M4K2E3	R523,524			RK73GB2A104J	CHIP R 100K J 1/10W	M4K2E
R405			RK73EB2E101J	CHIP R 100 J 1/4W	KK1E1	R526,527			RK73GB2A473J	CHIP R 47K J 1/10W	
R405			RK73EB2E101J	CHIP R 100 J 1/4W	M1M2M3	R528			RK73GB2A104J	CHIP R 100K J 1/10W	KK1E1
R405			RK73EB2E101J	CHIP R 100 J 1/4W	M4K2E3	R528			RK73GB2A104J	CHIP R 100K J 1/10W	M1M2M
R406			RK73EB2E100J	CHIP R 10 J 1/4W	KK1E1	R528			RK73GB2A104J	CHIP R 100K J 1/10W	M4K2E
R406			RK73EB2E100J	CHIP R 10 J 1/4W	M1M2M3	R529			RK73GB2A222J	CHIP R 2.2K J 1/10W	
R406			RK73EB2E100J	CHIP R 10 J 1/4W	M4K2E3	R530			RK73GB2A101J	CHIP R 100 J 1/10W	
R407			RK73EB2E4R7J	CHIP R 4.7 J 1/4W	KK1E1	R531			RK73GB2A222J	CHIP R 2.2K J 1/10W	
R407			RK73EB2E4R7J	CHIP R 4.7 J 1/4W	M1M2M3	R532			RK73GB2A102J	CHIP R 1.0K J 1/10W	
R407			RK73EB2E4R7J	CHIP R 4.7 J 1/4W	M4K2E3	R533-535			RK73GB2A104J	CHIP R 100K J 1/10W	
R408			RK73EB2E100J	CHIP R 10 J 1/4W	KK1E1	R536			RK73GB2A471J	CHIP R 470 J 1/10W	
R408			RK73EB2E100J	CHIP R 10 J 1/4W	M1M2M3	R537			RK73GB2A104J	CHIP R 100K J 1/10W	
R408			RK73EB2E100J	CHIP R 10 J 1/4W	M4K2E3	R538			RK73GB2A471J	CHIP R 470 J 1/10W	
R409			RK73EB2E102J	CHIP R 1.0K J 1/4W	KK1E1	R540,541			RK73GB2A473J	CHIP R 47K J 1/10W	
R409			RK73EB2E102J	CHIP R 1.0K J 1/4W	M1M2M3	R542			RK73GB2A102J	CHIP R 1.0K J 1/10W	
R409			RK73EB2E102J	CHIP R 1.0K J 1/4W	M4K2E3	R543			RK73GB2A473J	CHIP R 47K J 1/10W	
R410			RK73EB2E101J	CHIP R 100 J 1/4W	KK1E1	R545			RK73GB2A473J	CHIP R 47K J 1/10W	
R410			RK73EB2E101J	CHIP R 100 J 1/4W	M1M2M3	R546			RK73GB2A222J	CHIP R 2.2K J 1/10W	
R410			RK73EB2E101J	CHIP R 100 J 1/4W	M4K2E3	R547			RK73GB2A472J	CHIP R 4.7K J 1/10W	
R411			RK73GB2A102J	CHIP R 1.0K J 1/10W	KK1E1	R548			RK73GB2A223J	CHIP R 22K J 1/10W	
R411			RK73GB2A102J	CHIP R 1.0K J 1/10W	M1M2M3	R549			RK73GB2A101J	CHIP R 100 J 1/10W	
R411			RK73GB2A102J	CHIP R 1.0K J 1/10W	M4K2E3	R550			RK73GB2A222J	CHIP R 2.2K J 1/10W	
R500			RK73GB2A473J	CHIP R 47K J 1/10W		R551-553			RK73GB2A101J	CHIP R 100 J 1/10W	K2E3
R501			RK73GB2A103J	CHIP R 10K J 1/10W		R554			RK73GB2A473J	CHIP R 47K J 1/10W	
R502			RK73GB2A104J	CHIP R 100K J 1/10W	E2	R555-557			RK73GB2A101J	CHIP R 100 J 1/10W	
R502,503			RK73GB2A104J	CHIP R 100K J 1/10W	KK1E1	R558			RK73GB2A222J	CHIP R 2.2K J 1/10W	
R502,503			RK73GB2A104J	CHIP R 100K J 1/10W	M1M2M3	R559			RK73GB2A473J	CHIP R 47K J 1/10W	
R502,503			RK73GB2A104J	CHIP R 100K J 1/10W	M4K2E3	R560			RK73GB2A104J	CHIP R 100K J 1/10W	
R504			RK73GB2A473J	CHIP R 47K J 1/10W	E1E2E3	R561			RK73GB2A473J	CHIP R 47K J 1/10W	E1M1M
R505			RK73GB2A104J	CHIP R 100K J 1/10W		R561			RK73GB2A473J	CHIP R 47K J 1/10W	E2M3M
R506,507			RK73GB2A472J	CHIP R 4.7K J 1/10W		R561			RK73GB2A473J	CHIP R 47K J 1/10W	E3
R508			RK73GB2A473J	CHIP R 47K J 1/10W	E1E2E3	R561,562			RK73GB2A473J	CHIP R 47K J 1/10W	KK1K2

K: KDC-X494 K1: KDC-MP445U K2: KMR-440U M1: KDC-U6046 M2: KDC-U6046L  
M3: KDC-U7046BT M4: KDC-U7046BTL E1: KDC-5047U E2: KDC-BT50U E3: : KMR-440U

⚠ indicates safety critical components.

# PARTS LIST

## ELECTRIC UNIT (X34-66xx-xx)

Ref.No.	A d d	N e w	Parts No.	Description	Dest inati on	Ref.No.	A d d	N e w	Parts No.	Description	Dest inati on
R562			RK73GB2A223J	CHIP R 22K J 1/10W	M1M2M3	R915			RK73GB2A472J	CHIP R 4.7K J 1/10W	E2M3N
R562			RK73GB2A223J	CHIP R 22K J 1/10W	M4	R916			RK73GB2A473J	CHIP R 47K J 1/10W	E2M3N
R563			RK73GB2A473J	CHIP R 47K J 1/10W	M2M4E3	R917,918			RK73GB2A681J	CHIP R 680 J 1/10W	E2M3N
R563,564			RK73GB2A473J	CHIP R 47K J 1/10W	E1M1E2	R920			RK73GB2A473J	CHIP R 47K J 1/10W	E2M3N
R563,564			RK73GB2A473J	CHIP R 47K J 1/10W	M3	R923			RK73GB2A473J	CHIP R 47K J 1/10W	E2M3N
R564			RK73GB2A223J	CHIP R 22K J 1/10W	K2	R925-928			RK73GH2A473D	CHIP R 47K D 1/10W	E2M3N
R564			RK73GB2A473J	CHIP R 47K J 1/10W	K	R931,932			RK73GH2A473D	CHIP R 47K D 1/10W	E2M3N
R565			RK73GB2A473J	CHIP R 47K J 1/10W	K1M2M4	R934			RK73GH2A473D	CHIP R 47K D 1/10W	E2M3N
R565			RK73GB2A473J	CHIP R 47K J 1/10W	K2E3	R940			RK73GH2A473D	CHIP R 47K D 1/10W	E3
R567,568			RK73GB2A473J	CHIP R 47K J 1/10W		R940			RK73GH2A473D	CHIP R 47K D 1/10W	KK1E1
R569			RK73GB2A101J	CHIP R 100 J 1/10W	KK1E1	R940			RK73GH2A473D	CHIP R 47K D 1/10W	M1M2P
R569			RK73GB2A101J	CHIP R 100 J 1/10W	M1M2M3	R940,941			RK73GH2A473D	CHIP R 47K D 1/10W	E2M3N
R569			RK73GB2A101J	CHIP R 100 J 1/10W	M4K2E3	R945-950			RK73GH2A473D	CHIP R 47K D 1/10W	
R570,571			RK73GB2A472J	CHIP R 4.7K J 1/10W		R952			RK73GH2A473D	CHIP R 47K D 1/10W	
R610			RK73FB2B101J	CHIP R 100 J 1/8W		W90			R92-2053-05	CHIP R 0 OHM J 1/8W	K1E1M
R611			RK73GB2A471J	CHIP R 470 J 1/10W		W90			R92-2053-05	CHIP R 0 OHM J 1/8W	M2E2N
R612,613			RK73GB2A223J	CHIP R 22K J 1/10W		W90			R92-2053-05	CHIP R 0 OHM J 1/8W	M4K2E
R614			RK73FB2B101J	CHIP R 100 J 1/8W		W700			R92-2053-05	CHIP R 0 OHM J 1/8W	
R615			RK73GB2A471J	CHIP R 470 J 1/10W		W702-705			R92-2053-05	CHIP R 0 OHM J 1/8W	
R620			RK73FB2B101J	CHIP R 100 J 1/8W		S800			S70-0959-05	TACT SWITCH	
R621			RK73GB2A471J	CHIP R 470 J 1/10W		D1			S2V60-5009F46	DIODE	
R622,623			RK73GB2A223J	CHIP R 22K J 1/10W		D30			UDZW5.6(B)	ZENER DIODE	
R624			RK73FB2B101J	CHIP R 100 J 1/8W		D31			1SR154-400	DIODE	
R625			RK73GB2A471J	CHIP R 470 J 1/10W		D32			1SS355	DIODE	
R630			RK73FB2B101J	CHIP R 100 J 1/8W		D40			UDZW8.2(B)	ZENER DIODE	
R631			RK73GB2A471J	CHIP R 470 J 1/10W		D50		*	CMS20	DIODE	
R632,633			RK73GB2A223J	CHIP R 22K J 1/10W		D70		*	CUS02	DIODE	
R634			RK73FB2B101J	CHIP R 100 J 1/8W		D71 ,72			1SS388	DIODE	
R635			RK73GB2A471J	CHIP R 470 J 1/10W		D73			UDZW15(B)	ZENER DIODE	
R642,643			RK73EB2E101J	CHIP R 100 J 1/4W	E2M3M4	D74			1SS355	DIODE	
R700			RK73GB2A223J	CHIP R 22K J 1/10W		D75		*	CUS02	DIODE	
R701,702			RK73GB2A471J	CHIP R 470 J 1/10W		D90			1SR154-400	DIODE	K
R703			RK73FB2B821J	CHIP R 820 J 1/8W		D91			UDZW5.6(B)	ZENER DIODE	K
R704			RK73GB2A223J	CHIP R 22K J 1/10W		D100			UDZW6.2(B)	ZENER DIODE	
R705			RK73GB2A472J	CHIP R 4.7K J 1/10W		D102,103			UDZW6.8(B)	ZENER DIODE	
R751			RK73GB2A512J	CHIP R 5.1K J 1/10W	E1E2E3	D120			1SS355	DIODE	
R752			RK73GB2A102J	CHIP R 1.0K J 1/10W	E1E2E3	D121-124			1SR154-400	DIODE	
R800,801			RK73EB2E101J	CHIP R 100 J 1/4W		D140			UDZW4.7(B)	ZENER DIODE	
R802			RK73EB2E102J	CHIP R 1.0K J 1/4W		D150			UDZW6.2(B)	ZENER DIODE	
R803			RK73EB2E432J	CHIP R 4.3K J 1/4W		D152			UDZW6.2(B)	ZENER DIODE	K2E3
R804			RK73GB2A102J	CHIP R 1.0K J 1/10W		D153			CVL10C270M300	VARISTOR	K2E3
R805			RK73EB2E100J	CHIP R 10 J 1/4W		D200			DAP202U	DIODE	
R806			RK73GB2A102J	CHIP R 1.0K J 1/10W		D300-302			DAP202U	DIODE	
R807			RK73GB2A123J	CHIP R 12K J 1/10W		D303			UDZW5.6(B)	ZENER DIODE	K
R808			RK73EB2E4R7J	CHIP R 4.7 J 1/4W		D350			DA204U	DIODE	
R809			RK73GB2A123J	CHIP R 12K J 1/10W		D403			UDZW6.2(B)	ZENER DIODE	KK1E1
R810			RK73EB2E100J	CHIP R 10 J 1/4W		D403			UDZW6.2(B)	ZENER DIODE	M1M2P
R811,812			RK73EB2E432J	CHIP R 4.3K J 1/4W		D403			UDZW6.2(B)	ZENER DIODE	M4K2E
R816,817			RK73GB2A220J	CHIP R 22 J 1/10W		D406			UDZW6.2(B)	ZENER DIODE	KK1E1
R819			RK73EB2E432J	CHIP R 4.3K J 1/4W		D406			UDZW6.2(B)	ZENER DIODE	M1M2P
R900,901			RK73GB2A101J	CHIP R 100 J 1/10W	E2M3M4	D406			UDZW6.2(B)	ZENER DIODE	
R910			RK73GB2A472J	CHIP R 4.7K J 1/10W	E2M3M4	D408-410			UDZW6.8(B)	ZENER DIODE	M4K2E
R911			RK73GB2A223J	CHIP R 22K J 1/10W	E2M3M4	D408-410			UDZW6.8(B)	ZENER DIODE	KK1E1
R912			RK73GB2A101J	CHIP R 100 J 1/10W	E2M3M4	D408-410			UDZW6.8(B)	ZENER DIODE	M1M2P
R913			RK73GB2A473J	CHIP R 47K J 1/10W	E2M3M4	D408-410			UDZW6.8(B)	ZENER DIODE	M4K2E

K: KDC-X494 K1: KDC-MP445U K2: KMR-440U M1: KDC-U6046 M2: KDC-U6046L  
M3: KDC-U7046BT M4: KDC-U7046BTL E1: KDC-5047U E2: KDC-BT50U E3: : KMR-440U

⚠ indicates safety critical components.

# PARTS LIST

## ELECTRIC UNIT (X34-66xx-xx)

Ref.No.	A d d	N e w	Parts No.	Description	Dest inati on	Ref.No.	A d d	N e w	Parts No.	Description	Dest inati on
D610			DAP202U	DIODE		Q91			2SC5053	TRANSISTOR	K
D630			DAP202U	DIODE		Q92			DTA124EUA	DIGITAL TRANSISTOR	K
D642,643			UDZW4.7(B)	ZENER DIODE	E2M3M4	Q93			DTC124EUA	DIGITAL TRANSISTOR	K
D701			UDZW5.6(B)	ZENER DIODE		Q100			2SC4081	TRANSISTOR	
D800,801			UDZW6.2(B)	ZENER DIODE		Q102,103			2SC4081	TRANSISTOR	
D804-806			UDZW6.8(B)	ZENER DIODE		Q120			DTC114YUA	DIGITAL TRANSISTOR	
D810-813			LVS10C270S030	VARISTOR		Q121			DTA114EUA	DIGITAL TRANSISTOR	
D815,816			LVS10C270S030	VARISTOR		Q122			2SA1576A	TRANSISTOR	
IC20			M5237ML-CF0J	ANALOGUE IC		Q123			2SB1188(Q,R)	TRANSISTOR	E1E2E
IC50	2D	*	Impossible to repla	ANALOGUE IC (See exploded view)		Q123,124			2SB1188(Q,R)	TRANSISTOR	KK1M1
IC60			BD6538G	MOS-IC		Q123,124			2SB1188(Q,R)	TRANSISTOR	K2
IC71	2D	*	Impossible to repla	ANALOGUE IC (See exploded view)		Q123,124			2SB1188(Q,R)	TRANSISTOR	M2M3M
IC80			TC7WH00FU-F	MOS-IC		Q125			DTC114YUA	DIGITAL TRANSISTOR	KK1M1
IC200			E-TDA7851A	ANALOGUE IC		Q125			DTC114YUA	DIGITAL TRANSISTOR	K2
IC300			E-TDA7415CB	ANALOGUE IC		Q125			DTC114YUA	DIGITAL TRANSISTOR	M2M3M
IC350			NJM4565V-ZB	ANALOGUE IC		Q140			DTC144EUA	DIGITAL TRANSISTOR	
IC500			XC6120N292N1	MOS-IC		Q150			SSM3J15FU-F	FET	K2E3
IC502		*	W05-1603-00	MICROCONTROLLER IC	E2	Q151			2SK3018	FET	K2E3
IC502		*	W05-1604-00	MICROCONTROLLER IC	M3M4	Q152			DTC124EUA	DIGITAL TRANSISTOR	K2E3
IC502		*	W05-1605-00	MICROCONTROLLER IC	KK1M1	Q156,157			2SC4081	TRANSISTOR	K2E3
IC502		*	W05-1605-00	MICROCONTROLLER IC	M2	Q158			2SJ518-E	FET	K2E3
IC502		*	W05-1606-00	MICROCONTROLLER IC	E1	Q159			2SC4081	TRANSISTOR	K2E3
IC502		*	W05-1607-00	MICROCONTROLLER IC	K2	Q160			2SA1576A	TRANSISTOR	K2E3
IC502		*	W05-1608-00	MICROCONTROLLER IC	E3	Q350			2SC4081	TRANSISTOR	
IC503			M24C08-RDW6TP	ROM IC	K2E3	Q610			DTC143TUA	DIGITAL TRANSISTOR	
IC504			74HC2G02DP	MOS-IC		Q611			DTA124EUA	DIGITAL TRANSISTOR	
IC750			E-TDA7478AD	ANALOGUE IC	E1E2E3	Q612			DTC143TUA	DIGITAL TRANSISTOR	
IC900			TC7SET08FU-F	MOS-IC	E2M3M4	Q620,621			DTC143TUA	DIGITAL TRANSISTOR	
IC901			TC7SH08FU-F	MOS-IC	E2M3M4	Q630			DTC143TUA	DIGITAL TRANSISTOR	
IC910			NJM4565V-ZB	ANALOGUE IC	E2M3M4	Q631			DTA124EUA	DIGITAL TRANSISTOR	
IC912			NJM4565V-ZB	ANALOGUE IC		Q632			DTC143TUA	DIGITAL TRANSISTOR	
IC915			NJM2886DL3-33	ANALOGUE IC	E2M3M4	Q700			DTC124EUA	DIGITAL TRANSISTOR	
Q20			DTA124EUA	DIGITAL TRANSISTOR		Q701			2SA1577	TRANSISTOR	
Q21			DTC144EUA	DIGITAL TRANSISTOR		Q702			2SC4081	TRANSISTOR	
Q22			2SA1869-Q(Y)	TRANSISTOR		Q900			DTC124EUA	DIGITAL TRANSISTOR	E2M3M
Q23			DTA124EUA	DIGITAL TRANSISTOR		TH200			PRF18BE471QS2	POSITIVE RESISTOR	
Q24			DTC124EUA	DIGITAL TRANSISTOR		A900	3D	*	W02-5372-05	ELECTRIC CIRCUIT MODULE	E2M3M
Q30			2SA1576A	TRANSISTOR		A700	2D		X86-4032-70	FRONT-END UNIT	E1E2E
Q31			DTC124EUA	DIGITAL TRANSISTOR		A700	2D		X86-4230-11	FRONT-END UNIT	KK1M1
Q32			2SC4081	TRANSISTOR		A700	2D		X86-4230-11	FRONT-END UNIT	K2
Q33			2SB1184(Q,R)	TRANSISTOR		A700	2D		X86-4230-11	FRONT-END UNIT	M2M3M
Q40			2SC4081	TRANSISTOR		<b>MECHANISM ASSY (X92-6360-04) DXM-9B30W</b>					
Q41		*	2SA1869-Q(Y)	TRANSISTOR	E3	1	2B		A10-5450-63	CHASSIS ASSY	
Q50			DTC124EUA	DIGITAL TRANSISTOR	KK1E1	3	3B		A10-5452-41	CHASSIS	
Q50			DTC124EUA	DIGITAL TRANSISTOR	M1M2K2	4	1B		A10-5453-32	CHASSIS	
Q51			2SB1689	TRANSISTOR	E3	12	3A		D10-4993-52	LEVER	
Q51			2SB1689	TRANSISTOR	KK1E1	13	1B		D10-4991-22	ARM	
Q51			2SB1689	TRANSISTOR	M1M2K2	14	1B		D10-4992-13	ARM	
Q70			DTC124EUA	DIGITAL TRANSISTOR		15	2A		D10-4994-02	SLIDER	
Q71			2SA1576A	TRANSISTOR		16	2A		D10-4995-03	SLIDER	
Q72			2SC4081	TRANSISTOR		17	2B		D10-4996-02	SLIDER	
Q73		*	2SA1869-Q(Y)	TRANSISTOR		18	2A		D10-4997-03	LEVER	
Q74			2SD1760	TRANSISTOR		19	1A		D10-4998-03	ARM	
Q90			2SC4081	TRANSISTOR	K						

K: KDC-X494 K1: KDC-MP445U K2: KMR-440U M1: KDC-U6046 M2: KDC-U6046L  
M3: KDC-U7046BT M4: KDC-U7046BTL E1: KDC-5047U E2: KDC-BT50U E3: : KMR-440U

⚠ indicates safety critical components.




# PARTS LIST

## MECHANISM ASSY (X92-6360-04) DXM-9B30W

Ref.No.	A d d	N e w	Parts No.	Description	Dest inati on	Ref.No.	A d d	N e w	Parts No.	Description	Dest inati on
20	2A		D10-4999-03	ARM							
21	2A		D10-7001-03	ARM							
22	2A		D10-7002-03	ARM							
23	2A		D10-7003-03	ARM							
24	2A		D13-2445-04	GEAR							
25	2A		D13-2446-04	GEAR							
27	2A		D13-2448-04	GEAR							
28	2A		D13-2449-04	GEAR							
29	2A		D13-2450-04	GEAR							
30	2A		D13-2451-04	GEAR							
31	2A		D13-2452-04	GEAR							
32	2A		D13-2453-04	GEAR							
33	2A		D13-2454-04	GEAR							
34	2A		D13-2455-04	GEAR							
35	2B		D13-2456-03	RACK (GEAR)							
36	2A		D14-1028-04	ROLLER							
37	3A		D21-2507-04	SHAFT							
38	2B		D21-2508-04	SHAFT							
39	3A		D23-0963-04	RETAINER							
40	3B		D39-0277-15	DAMPER							
41	3B		D39-0278-15	DAMPER							
46	1B		G01-4682-34	TORSION COIL SPRING							
47	3A *		G01-4756-04	EXTENSION SPRING							
48	2A		G01-4684-04	EXTENSION SPRING							
49	2B		G01-4685-04	EXTENSION SPRING							
50	1B		G01-4686-14	EXTENSION SPRING							
51	3A		G01-4688-14	EXTENSION SPRING							
52	3A		G01-4692-24	TORSION COIL SPRING							
54	3A		G02-1588-04	FLAT SPRING							
55	1B		G13-1297-04	CUSHION							
56	1B		G13-1299-14	CUSHION							
57	1A		G16-1715-04	SHEET							
61	1B		J11-0675-03	CLAMPER							
64	2A		J19-7210-21	HOLDER							
65	2B		J19-7225-04	HOLDER							
66	1B		J22-0706-03	MOUNTING HARDWARE							
67	1A		J22-0707-12	MOUNTING HARDWARE							
68	1B		J90-1166-11	GUIDE							
69	2B		J90-1168-03	RAIL							
A	1A		N09-6108-15	TAPTITE SCREW (M2X3.5)							
B	2B		N09-6426-15	MACHINE SCREW							
C	2B		N09-6735-05	TAPTITE SCREW							
D	2B		N09-6737-15	MACHINE SCREW							
E	2B		N09-6738-15	TAPTITE SCREW							
F	2A		N19-2335-14	FLAT WASHER							
G	2B		N35-2003-48	BINDING HEAD MACHINE SCREW							
H	2B		N39-1720-48	PAN HEAD MACHINE SCREW							
76	2A		S68-0921-05	PUSH SWITCH							
DM1	2B		X94-2090-00	SPINDLE MOTOR ASSY							
DM2	2B		X94-2100-00	FEED MOTOR ASSY (LOAD/SLED)							
DPU1	2B		X93-2280-00	OPTICAL PICKUP ASSY							

**K:** KDC-X494 **K1:** KDC-MP445U **K2:** KMR-440U **M1:** KDC-U6046 **M2:** KDC-U6046L  
**M3:** KDC-U7046BT **M4:** KDC-U7046BTL **E1:** KDC-5047U **E2:** KDC-BT50U **E3:** : KMR-440U

 indicates safety critical components.